

Locating Bushings · for positioning clamping pins, for press fit

EH 23111.

Product Description

These locating bushes for positioning clamping pins are mounted in the counterpart.



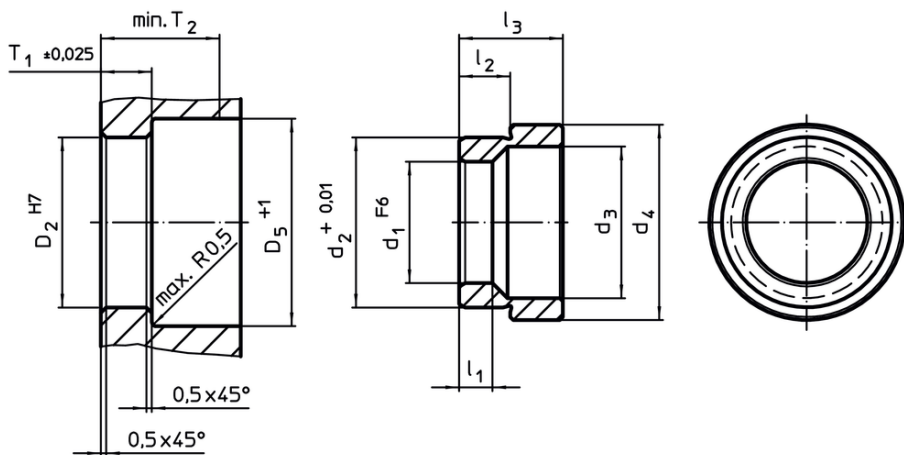
Material

- Case-hardened steel, case-hardened, blackened
- Stainless steel 1.4112, hardened

Assembly

The press fit locating bushing for positioning clamping pins are inserted in the machine table or the base plate with light pressure.

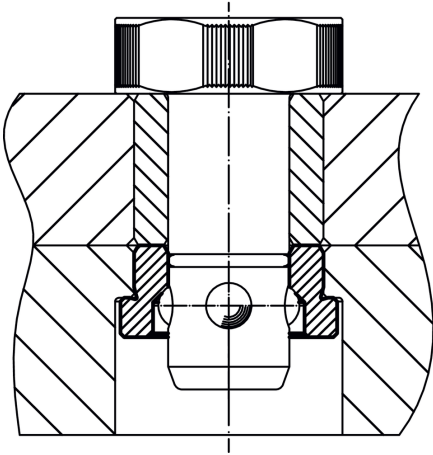
Drawing



Order information

d_1	d_2	d_3	Dimensions			Location hole				[g]	Art. No.		
			d_4	l_1	l_2	l_3	D_2	D_5	T_1			T2	
F6	+0.01							H7	+1	± 0.02	min.		
[mm]													
Case-hardened steel													
16	22.03	20	28.6	5.25	6.90	12.1	22	31	7.25	22	22	22	23111.0762
20	28.03	25	32.2	5.25	8.42	17.1	28	34	8.75	22	22	39	23111.0764
25	35.03	31	40.2	5.25	10.22	21.0	35	42	10.55	28	28	79	23111.0766
30	42.03	37	48.2	5.25	10.63	21.8	42	50	10.95	28	28	118	23111.0768
stainless steel													
16	22.03	20	28.6	5.25	6.90	12.1	22	31	7.25	22	22	21	23111.0862
20	28.03	25	32.2	5.25	8.42	17.1	28	34	8.75	22	22	38	23111.0864
25	35.03	31	40.2	5.25	10.22	21.0	35	42	10.55	28	28	77	23111.0866
30	42.03	37	48.2	5.25	10.63	21.8	42	50	10.95	28	28	113	23111.0868

Application example



Compliance

RoHS compliant

Compliant according to Directive 2011/65/EU and Directive 2015/863

Does not contain SVHC substances

No SVHC substances with more than 0.1% w/w contained - SVHC list [REACH] as of 17.01.2023

Does not contain Proposition 65 substances

No Proposition 65 substances included
<https://www.P65Warnings.ca.gov/>

Free from Conflict Minerals

This product does not contain any substances designated as "conflict minerals" such as tantalum, tin, gold or tungsten from the Democratic Republic of Congo or adjacent countries.