



1 ADJUSTABLE HANDLE AND WING NUT
Glass-fibre reinforced polyamide based (PA) technopolymer, grey-black colour, matte finish.



2 DISTANCE BUSHING
Glass-fibre reinforced polyamide based (PA) technopolymer, black colour, matte finish.



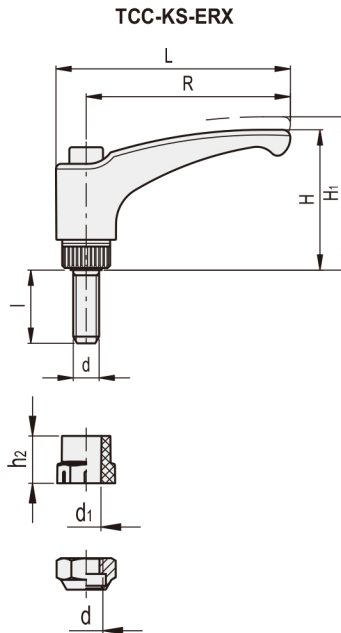
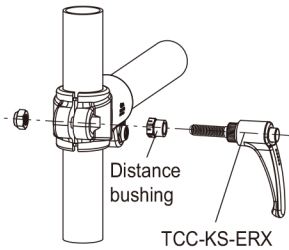
3 SELF-LOCKING NUT
AISI 304 stainless steel.



4 STANDARD EXECUTIONS
- **TCC-KS-ERX**: adjustable handle with AISI 303 stainless steel threaded stud, chamfered flat end UNI 947 : ISO 4753 (see Technical data on page A-11), with black push button.



8 FEATURES AND APPLICATIONS
The clamping kit for TCC, comprising a distance bushing, an adjustable handle or a wing nut and nut, is used when clamping operations are required.



Conversion Table 1 mm = 0.039 inch			
R		D	
mm	inch	mm	inch
30	1.17	47	1.83
44	1.72	55	2.15
63	2.46		
78	3.04		

TCC-KS-ERX

Code	Description	d	R	L	H	H1	d1	h2	l	For TCC	⚖
600509-C1	TCC-KS-ERX.30-SST-p-M6x30-C1	M6	30	37.5	30	33.5	6,3	8	30	TCC-18	21
600519-C1	TCC-KS-ERX.44-SST-p-M6x30-C1	M6	44	52	32.5	36	6,3	8	30	TCC-18	23
600525-C1	TCC-KS-ERX.63-SST-p-M6x30-C1	M6	63	72.5	43	47	6,3	8	30	TCC-18	25
600541-C1	TCC-KS-ERX.63-SST-p-M8x40-C1	M8	63	72.5	43	47	8,3	12	40	TCC-30	47
600557-C1	TCC-KS-ERX.78-SST-p-M8x40-C1	M8	78	89.5	54	58	8,3	12	40	TCC-30	56