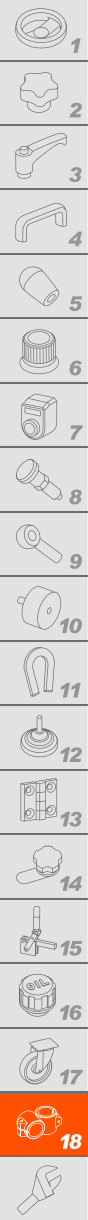


# TCC-TS | T-shaped connecting clamps

Technopolymer



## CLAMP

Glass-fibre reinforced polyamide based (PA) technopolymer, RAL 9005 (C9) black colour or grey RAL 7040 (C33) colour, matte finish.

## SCREWS AND NUTS (SUPPLIED)

Cylindrical-head screw with hexagon socket in AISI 304 stainless steel with anti-seizure treatment.

Self-locking nuts in AISI 304 stainless steel.

## FEATURES

Clamps for tubes with a diameter of  $18 \pm 0.2$  and  $30 \pm 0.2$  mm.

For smaller diameter tubes, the hole reduction sleeve TCC-A can be used (ordered separately).

The "s" grub screws may be replaced by the kit TCC-KS.

## TECHNICAL DATA

The resistance values shown in the table were measured during laboratory tests at ambient temperature with the screws tightened to the maximum torque "C#".

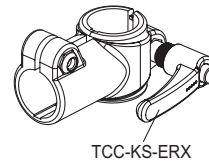
## ACCESSORIES ON REQUEST (TO BE ORDERED SEPARATELY)

- TCC-A (see page -): reduction sleeves.
- TCC-KS (see page -): clamping kit.
- TCC-KV (see page -): screws and clamping nuts.
- GN 990 (see page -): connecting tubes.

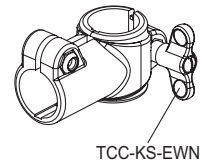


ELESA Original design

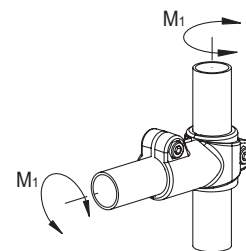
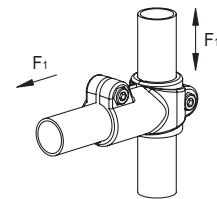
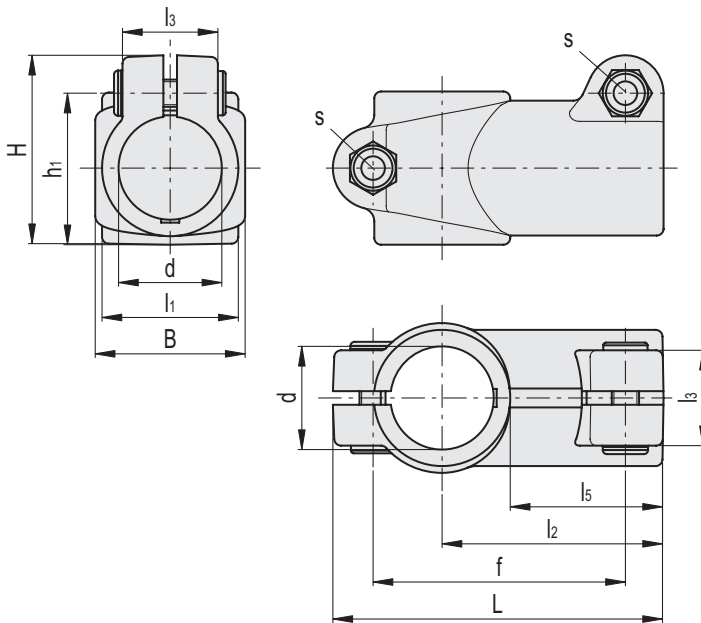
ELESA Original design



TCC-KS-ERX



TCC-KS-EWN



**C9** RAL9005    **C33** RAL7040



Code	Description	d	L	B	H	f	h1	l1	l2	l3	l5	s	C# [Nm]	F1* [N]	M1** [Nm]	⚖️
600151-C9	TCC-TS-18-18-C9	18	65	29	35	49	27	26.5	43.5	20.5	30.5	M6	5	1450	14	42
600151-C33	TCC-TS-18-18-C33	18	65	29	35	49	27	26.5	43.5	20.5	30.5	M6	5	1450	14	42
600251-C9	TCC-TS-30-30-C9	30	96	44	55.5	74	44	40.5	64.5	28	45.5	M8	12	1650	17	113
600251-C33	TCC-TS-30-30-C33	30	96	44	55.5	74	44	40.5	64.5	28	45.5	M8	12	1650	17	113

# Suggested torque for screw assembly.

\* Resistance to tube pull out

\*\* Resistance to tube rotation

Tube connectors

2