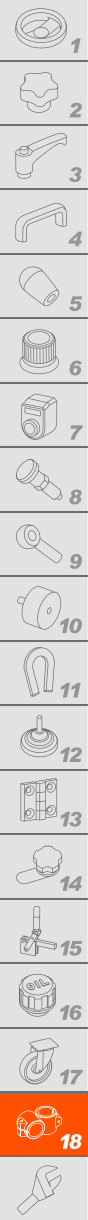


TCC-TB | Connecting clamps with mounting plate

Technopolymer



CLAMP

Glass-fibre reinforced polyamide based (PA) technopolymer, RAL 9005 (C9) black colour or grey RAL 7040 (C33) colour, matte finish.

SCREW AND NUT (SUPPLIED)

Cylindrical-head screws with hexagon socket in AISI 304 stainless steel with anti-seizure treatment.

Self-locking nut in AISI 304 stainless steel.

FEATURES

Clamps for tubes with a diameter of 18 ± 0.2 and 30 ± 0.2 mm.

For smaller diameter tubes, the hole reduction sleeve TCC-A can be used (ordered separately).

The "s" grub screw may be replaced by the kit TCC-KS.

TECHNICAL DATA

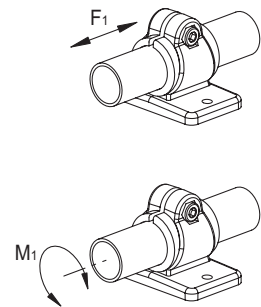
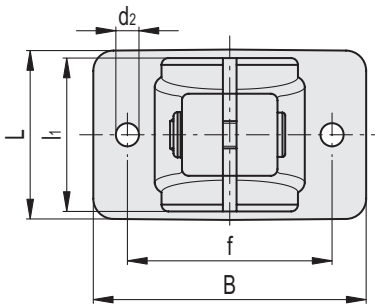
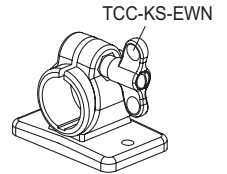
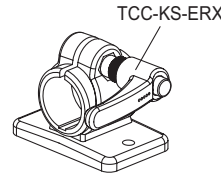
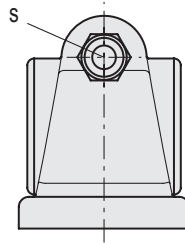
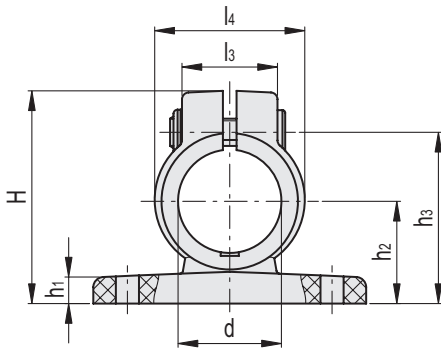
The resistance values shown in the table were measured during laboratory tests at ambient temperature with the screws tightened to the maximum torque "C#".

ACCESSORIES ON REQUEST (TO BE ORDERED SEPARATELY)

- TCC-A (see page -): reduction sleeves.
- TCC-KS (see page -): clamping kit.
- TCC-KV (see page -): screws and clamping nuts.
- GN 990 (see page -): connecting tubes.



ELESA Original design



C9 RAL9005 **C33** RAL7040



| Code | Description | d | L | B | H | d2 | f±0.2 | h1 | h2 | h3 | l1 | l3 | l4 | s | C# [Nm] | F1* [N] | M1** [Nm] | ⚖️ |
|------------|---------------|----|------|----|------|-----|-------|----|----|------|------|----|----|----|---------|---------|-----------|----|
| 600141-C9 | TCC-TB-18-C9 | 18 | 34.5 | 52 | 41 | 5.3 | 40 | 5 | 18 | 33.5 | 29 | 21 | 29 | M6 | 5 | 1450 | 16 | 29 |
| 600141-C33 | TCC-TB-18-C33 | 18 | 34.5 | 52 | 41 | 5.3 | 40 | 5 | 18 | 33.5 | 29 | 21 | 29 | M6 | 5 | 1450 | 16 | 29 |
| 600241-C9 | TCC-TB-30-C9 | 30 | 49.5 | 80 | 61.5 | 6.5 | 60 | 8 | 30 | 50 | 44.5 | 27 | 44 | M8 | 12 | 1800 | 27 | 84 |
| 600241-C33 | TCC-TB-30-C33 | 30 | 49.5 | 80 | 61.5 | 6.5 | 60 | 8 | 30 | 50 | 44.5 | 27 | 44 | M8 | 12 | 1800 | 27 | 84 |

Suggested torque for screw assembly.

* Resistance to tube pull out

** Resistance to tube rotation

Tube connectors

2