



CLAMPS

Glass-fibre reinforced polyamide based (PA) technopolymer, RAL 9005 (C9) black colour or grey RAL 7040 (C33) colour, matte finish.



SCREWS AND NUTS (SUPPLIED)

Cylindrical-head screw with hexagon socket in AISI 304 stainless steel with anti-seizure treatment.



Self-locking nuts in AISI 304 stainless steel.



STANDARD EXECUTIONS

- TCC-AP-AP-T: with teeth.
- TCC-AP-AP-S: without teeth.



FEATURES

Joints comprising clamps with external/internal teeth (36 teeth) have a 10° adjustment angle.



Joints comprising clamps without teeth can be positioned at any angle. Clamps for tubes with a diameter of 30 ± 0.2 mm.



For smaller diameter tubes, the hole reduction sleeve can be used TCC-A (to be ordered separately).



The "s" grub screws may be replaced by the kit TCC-KS.



TECHNICAL DATA

The resistance values shown in the table were measured during laboratory tests at ambient temperature with the screws tightened to the maximum torque "C#".

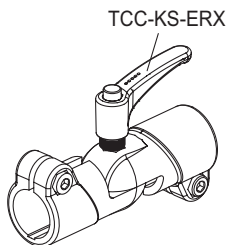


ACCESSORIES ON REQUEST (TO BE ORDERED SEPARATELY)

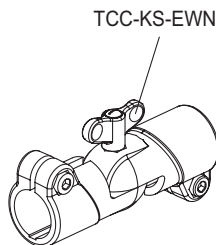
- TCC-A (see page -): reduction sleeves.
- TCC-KS (see page -): clamping kit.
- GN 197 (see page -): monitor mounts.
- TCC-KV (see page -): screws and clamping nuts.
- GN 990 (see page -): connecting tubes.



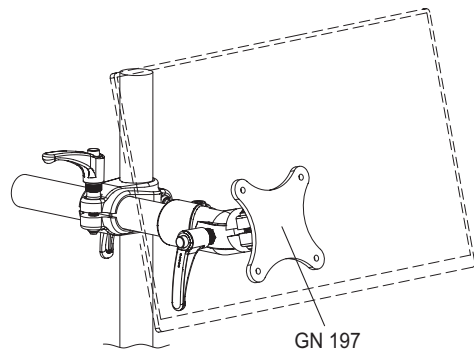
ELESA Original design



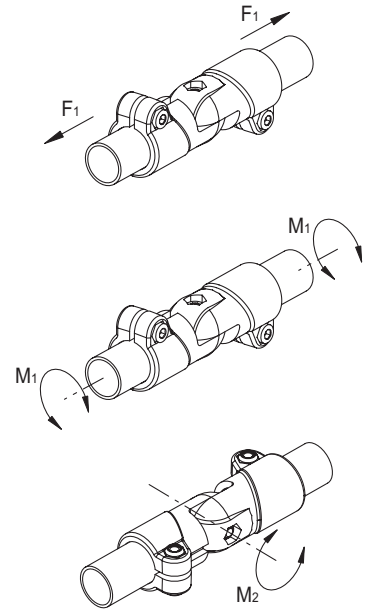
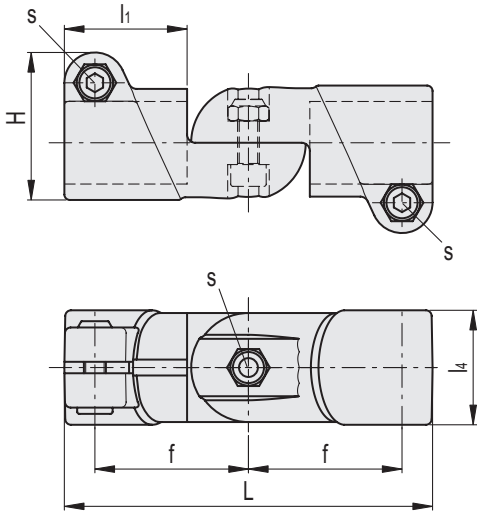
TCC-KS-ERX



TCC-KS-EWN



GN 197



C9
 RAL9005

C33
 RAL7040

TCC-AP-AP-T



Code	Description	d	L	H	f	l1	l3	l4	s	C# [Nm]	F1* [N]	M1** [Nm]	M2*** [Nm]	⚖️
600801-C9	TCC-AP-AP-30-T-C9	30	135	54	56	45	27	42	M8	12	3300	33	140	178
600801-C33	TCC-AP-AP-30-T-C33	30	135	54	56	45	27	42	M8	12	3300	33	140	178

TCC-AP-AP-S



Code	Description	d	L	H	f	l1	l3	l4	s	C# [Nm]	F1* [N]	M1** [Nm]	M2*** [Nm]	⚖️
600802-C9	TCC-AP-AP-30-S-C9	30	135	54	56	45	27	42	M8	12	3300	33	6	178
600802-C33	TCC-AP-AP-30-S-C33	30	135	54	56	45	27	42	M8	12	3300	33	6	178

Suggested torque for screw assembly.
 * Resistance to tube pull out
 ** Resistance to tube rotation
 *** Resistance to joint rotation.