

- 1
- 2
- 3
- 4
- 5
- 6
- 7
- 8
- 9
- 10
- 11
- 12
- 13
- 14
- 15
- 16
- 17
- 18

MATERIAL

Nickel-plated steel bracket.

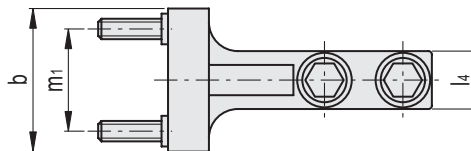
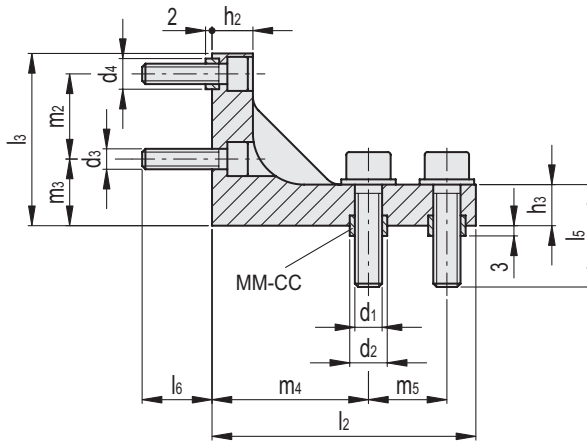
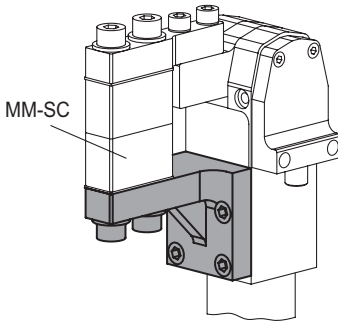
Screws and centering bushings MM-CC (see page -) in black-oxide steel.

FEATURES

The brackets are compatible with the pneumatic fastening clamps MM-BL-NK (see page -).

ACCESSORIES ON REQUEST

Jaw blocks MM-SC (see page -).



Conversion Table			
1 mm = 0.039 inch			
b		l2	
mm	inch	mm	inch
32	1.26	55	2.17
42	1.65	77.5	3.05
52	2.05	93	3.66
62	2.44	113.5	4.47

METRIC

Code	Description	b -0.2	d1	d2 H8 /h6	d3	d4 H8 /h6	h2	h3	l2	l3	l4	l5	l6	m1	m2	m3	m4	m5	Δ
MM.52020-NK	MM-FL-SCL-20-NK	32	M6	9	M5	7	10	10	55	37	13	18.5	7.5	22	17	15	31.5	17	190
MM.52032-NK	MM-FL-SCL-32-NK	42	M8	11	M6	9	12	14	77.5	50.5	17	23.5	10	30	25	19.5	45.9	23	280
MM.52040-NK	MM-FL-SCL-40-NK	52	M10	13	M8	11	14	16	93	61	20	28	13.5	37	30	23.5	53	30	450
MM.52050-NK	MM-FL-SCL-50-NK	62	M10	13	M10	13	16	18	113.5	85.5	20	29	13.5	44	47	27	62.5	40	780

Toggle clamps