

- 1
- 2
- 3
- 4
- 5
- 6
- 7
- 8
- 9
- 10
- 11
- 12
- 13
- 14
- 15
- 16
- 17
- 18

MATERIAL

Nickel-plated steel bracket.

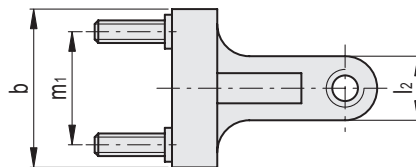
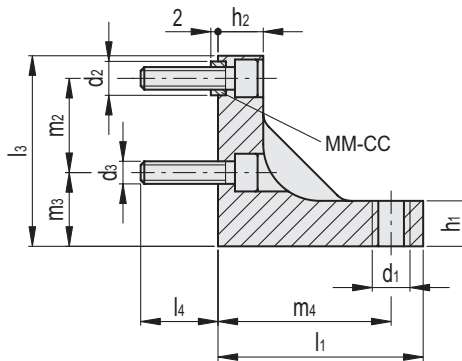
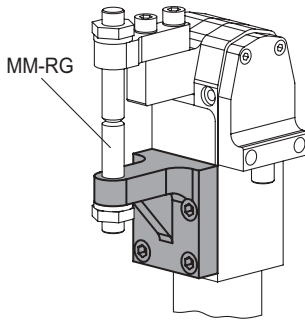
Screws and centering bushings MM-CC (see page -) in black-oxide steel.

FEATURES

The brackets are compatible with the pneumatic fastening clamps MM-BL-NK (see page -).

ACCESSORIES ON REQUEST

Clamping screws with ball terminal MM-RG (see page -).



Conversion Table			
1 mm = 0.039 inch			
b		l1	
mm	inch	mm	inch
32	1.26	38	1.50
42	1.65	54.5	2.15
52	2.05	63	2.48
62	2.44	73.5	2.89

METRIC

Code	Description	b -0.2	d1	d2 H8 / h6	d3	h1	h2	l1	l2	l3	l4	m1	m2	m3	m4	△
MM.44020-NK	MM-FL-RG1-20-NK	32	M8	7	M5	10	10	38	17	37	7.5	22	17	15	31.5	120
MM.44032-NK	MM-FL-RG1-32-NK	42	M10	9	M6	12	12	54.5	17	50.5	10	30	25	19.5	45.9	295
MM.44044-NK	MM-FL-RG1-40-NK	52	M12	11	M8	14	14	63	17	61	13.5	37	30	23.5	53	500
MM.44050-NK	MM-FL-RG1-50-NK	62	M12	13	M10	16	16	73.5	20	83	13.5	44	47	27	63.5	670

Toggle clamps