

- 1
- 2
- 3
- 4
- 5
- 6
- 7
- 8
- 9
- 10
- 11
- 12
- 13
- 14
- 15
- 16
- 17
- 18

**MATERIAL**

Nickel-plated steel bracket.

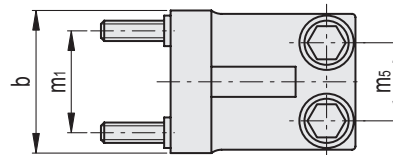
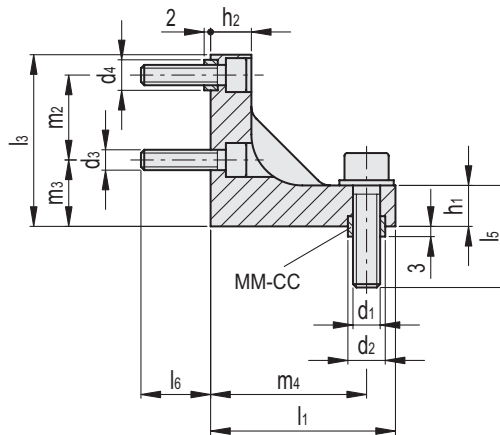
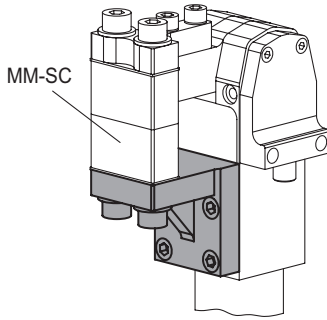
Screws and centering bushings MM-CC (see page -) in black-oxide steel.

**FEATURES**

The brackets are compatible with the pneumatic fastening clamps MM-BL-NK (see page -).

**ACCESSORIES ON REQUEST**

Jaw blocks MM-SC (see page -).



**Conversion Table**  
1 mm = 0.039 inch

b		l1	
mm	inch	mm	inch
32	1.26	38	1.50
42	1.65	54.5	2.15
52	2.05	63	2.48
62	2.44	73.5	2.89

Code	Description	b -0.2	d1	d2 H8 / h6	d3	d4 H8 / h6	h1	h2	l1	l3	l5	l6	m1	m2	m3	m4	m5	Δ
MM.40020-NK	MM-FL-SC-20-NK	32	M6	9	M5	7	10	10	38	37	18.5	7.5	22	17	15	31.5	17	170
MM.40032-NK	MM-FL-SC-32-NK	42	M8	11	M6	9	12	12	54.5	50.5	23.5	10	30	25	19.5	45.9	23	360
MM.40040-NK	MM-FL-SC-40-NK	52	M10	13	M8	11	14	14	63	61	28	13.5	37	30	23.5	53	30	650
MM.40050-NK	MM-FL-SC-50-NK	62	M10	13	M10	13	16	16	73.5	83.5	27	13.5	44	47	27	62.5	40	730