

- 1
- 2
- 3
- 4
- 5
- 6
- 7
- 8
- 9
- 10
- 11
- 12
- 13
- 14
- 15
- 16
- 17
- 18

**MATERIAL**

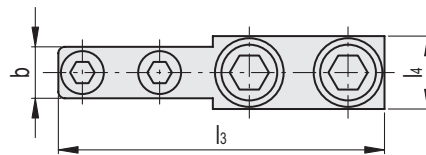
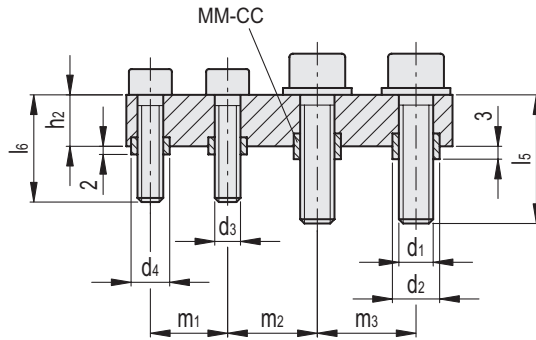
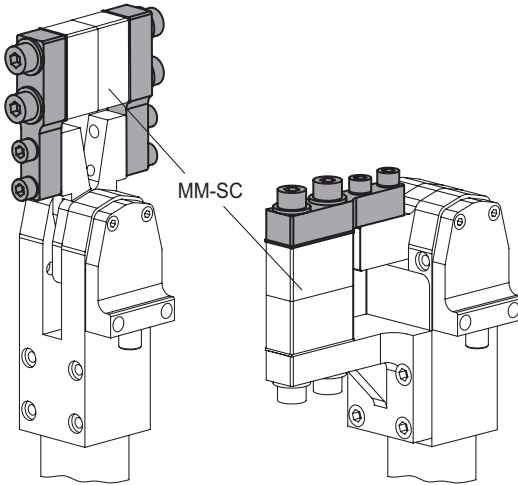
Nickel-plated steel bracket.  
Screws and centering bushings MM-CC (see page -) in black-oxide steel.

**FEATURES**

I-shaped brackets are compatible with pneumatic fastening clamps MM-BL-NK (see page -), MM-BI-NK (see page -) or MM-BC-NK (see page -).

**ACCESSORIES ON REQUEST**

Jaw blocks MM-SC (see page -).



Conversion Table			
1 mm = 0.039 inch			
b		l3	
mm	inch	mm	inch
10	0.39	54	2.13
12	0.47	76	2.99
16	0.63	93	3.66
18	0.71	113	4.45

**METRIC**

Code	Description	b-0.2	d1	d2 H8 / h6	d3	d4 H8 / h6	h2	l3	l4	l5	l6	m1	m2	m3	△
MM.35020-NK	MM-A-SCL-20-NK	10	M6	9	M5	7	10	54	13	18.5	19.5	12	14.5	17	30
MM.35032-NK	MM-A-SCL-32-NK	12	M8	11	M6	9	14	76	17	23.5	29.5	18	20.9	23	80
MM.35040-NK	MM-A-SCL-40-NK	16	M10	13	M8	11	16	93	20	28	34	22	23.5	30	170
MM.35050-NK	MM-A-SCL-50-NK	18	M10	13	M10	13	18	113	20	28	34	27	28.5	40	250

Toggle clamps