

- 1
- 2
- 3
- 4
- 5
- 6
- 7
- 8
- 9
- 10
- 11
- 12
- 13
- 14
- 15
- 16
- 17
- 18

MATERIAL

Nickel-plated steel bracket.

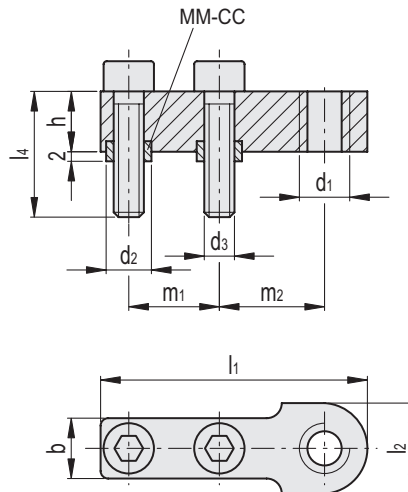
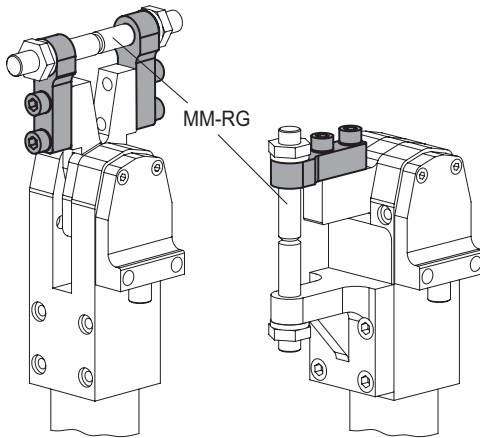
Screws and centering bushings MM-CC (see page -) in black-oxide steel.

FEATURES

I-shaped brackets are compatible with pneumatic fastening clamps MM-BL-NK (see page -), MM-BI-NK (see page -) or MM-BC-NK (see page -).

ACCESSORIES ON REQUEST

Clamping screws with ball terminal MM-RG (see page -).



Conversion Table			
1 mm = 0.039 inch			
b		l1	
mm	inch	mm	inch
10	0.39	37	1.46
12	0.47	53	2.09
16	0.63	63	2.48
18	0.71	73	2.87

METRIC

Code	Description	b-0.2	d1	d2 H8/h6	d3	h	l1	l2	l4	m1	m2	△
MM.27020-NK	MM-A-RG1-20-NK	10	M8	7	M5	10	37	13	19.5	12	14.5	20
MM.27032-NK	MM-A-RG1-32-NK	12	M10	9	M6	12	53	17	29.5	18	20.9	90
MM.27040-NK	MM-A-RG1-40-NK	16	M12	11	M8	14	63	20	34	22	23.5	110
MM.27050-NK	MM-A-RG1-50-NK	18	M12	13	M10	16	73	20	34	27	28.5	130

Toggle clamps