

- 1
- 2
- 3
- 4
- 5
- 6
- 7
- 8
- 9
- 10
- 11
- 12
- 13
- 14
- 15
- 16
- 17
- 18

MATERIAL

Nickel-plated steel bracket.

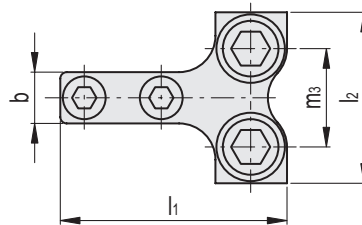
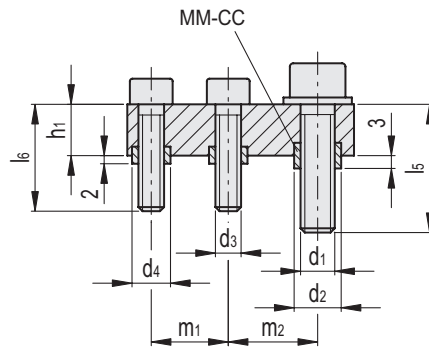
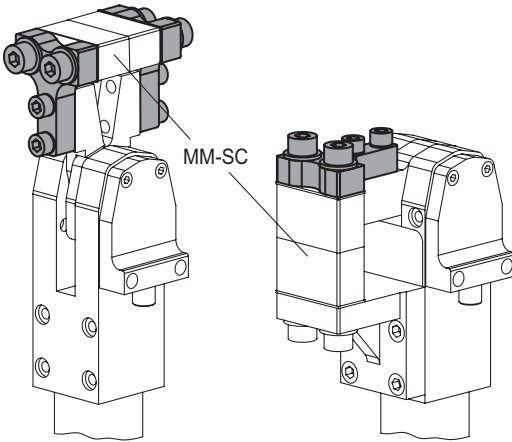
Screws and centering bushings MM-CC (see page -) in black-oxide steel.

FEATURES

Y-shaped brackets are compatible with pneumatic fastening clamps MM-BL-NK (see page -), MM-BI-NK (see page -) or MM-BC-NK (see page -).

ACCESSORIES ON REQUEST

Jaw blocks MM-SC (see page -).



Conversion Table			
1 mm = 0.039 inch			
b		l1	
mm	inch	mm	inch
10	0.39	37	1.46
12	0.47	53	2.09
16	0.63	63	2.48
18	0.71	73	2.87

METRIC

Code	Description	b-0.2	d1	d2 H8 / h6	d3	d4 H8 / h6	h1	l1	l2	l5	l6	m1	m2	m3	△
MM.21020-NK	MM-A-SC-20-NK	10	M6	9	M5	7	10	37	30	18.5	19.5	12	14.5	17	33
MM.21032-NK	MM-A-SC-32-NK	12	M8	11	M6	9	12	53	40	23.5	29.5	18	20.9	23	120
MM.21040-NK	MM-A-SC-40-NK	16	M10	13	M8	11	14	63	50	28	34	22	23.5	30	190
MM.21050-NK	MM-A-SC-50-NK	18	M10	13	M10	13	16	73	60	28	34	27	28.5	40	200

Toggle clamps