

- 1
- 2
- 3
- 4
- 5
- 6
- 7
- 8
- 9
- 10
- 11
- 12
- 13
- 14
- 15
- 16
- 17
- 18

**MATERIAL**

Nickel-plated steel bracket.

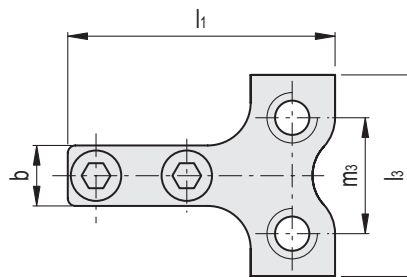
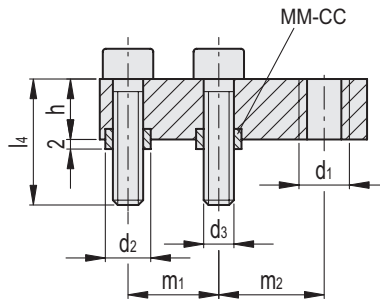
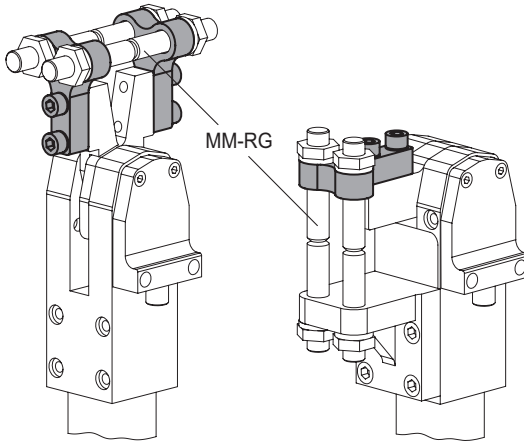
Screws and centering bushings MM-CC (see page -) in black-oxide steel.

**FEATURES**

Y-shaped brackets are compatible with pneumatic fastening clamps MM-BL-NK (see page -), MM-BI-NK (see page -) or MM-BC-NK (see page -).

**ACCESSORIES ON REQUEST**

Clamping screws with ball terminal MM-RG (see page -).



Conversion Table			
1 mm = 0.039 inch			
b		l1	
mm	inch	mm	inch
10	0.39	37	1.46
12	0.47	53	2.09
16	0.63	63	2.48
18	0.71	73	2.87

**METRIC**

Code	Description	b -0.2	d1	d2 H8 / h6	d3	h	l1	l3	l4	m1	m2	m3	Δ
MM.26020-NK	MM-A-RG-20-NK	10	M8	7	M5	10	37	30	19.5	12	14.5	17	30
MM.26032-NK	MM-A-RG-32-NK	12	M10	9	M6	12	53	40	29.5	18	20.9	23	120
MM.26040-NK	MM-A-RG-40-NK	16	M12	11	M8	14	63	50	34	22	23.5	30	180
MM.26050-NK	MM-A-RG-50-NK	18	M12	13	M10	16	73	60	34	27	28.5	40	190

Toggle clamps