

- 1
- 2
- 3
- 4
- 5
- 6
- 7
- 8
- 9
- 10
- 11
- 12
- 13
- 14
- 15
- 16
- 17
- 18

**MATERIAL**

Nickel-plated steel.

**MAXIMUM WORKING PRESSURE**

10 bar.

**FEATURES**

MM-BL-NK pneumatic fastening clamps are characterised by a "double effect" pneumatic cylinder which transmits a rotating movement to the clamping arm.

The maximum locking momentum is achieved when the clamping arm arrives at the stroke end and through pneumatic actuation only.

Under specific tests the pneumatic fastening clamps showed constant performances for more than 20 million cycles.

See Pneumatic fastening clamp features (on page -).

**SPECIAL EXECUTIONS ON REQUEST**

- Fastening clamps with Teflon coating for high temperature and corrosion applications.
- Fastening clamps with FKM sealing gasket resistant to max working temperatures up to 270°C.
- Fastening clamps with arm rotating movement and locking in the 20° position.
- Fastening clamps with arm rotating movement and locking in the 45° position.

**ACCESSORIES ON REQUEST**

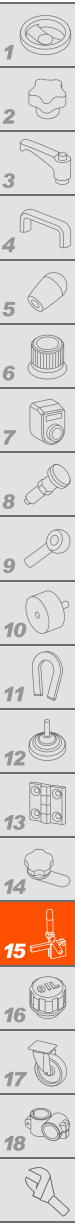
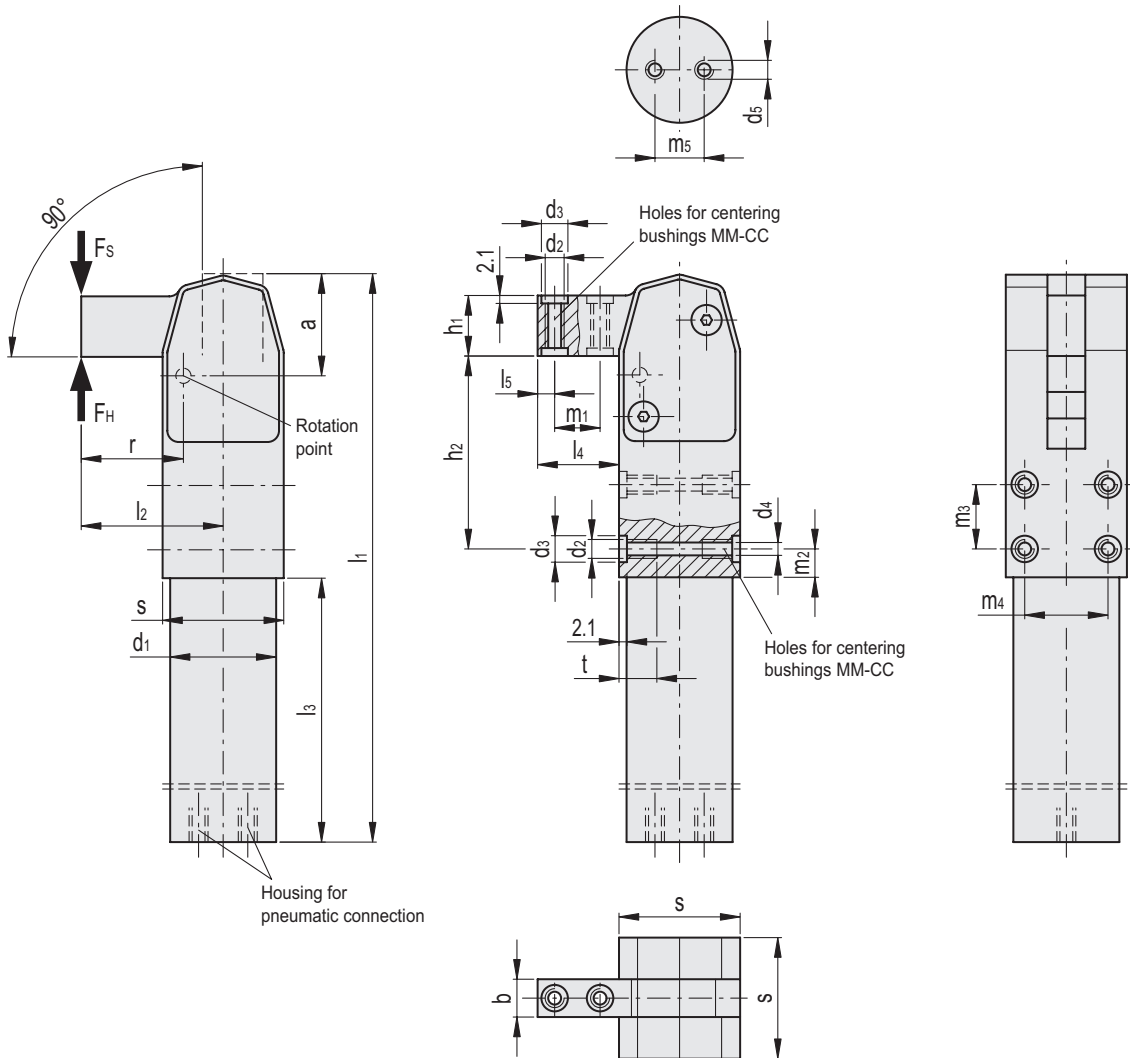
Brackets, fixing elements and sensors (see table of possible configurations).



Possible configurations of pneumatic fastening clamp MM-BL-NK

1 x MM-A-RG-NK		1 x MM-A-RG1-NK	
1 x MM-FL-RG-NK		1 x MM-FL-RG1-NK	
1x MM-SI		1 x MM-SI	
4 x MM-RG		2 x MM-RG	
1 x MM-A-SC-NK		1 x MM-A-SCL-NK	
1 x MM-FL-SC-NK		1 x MM-FL-SCL-NK	
1 x MM-SI		1 x MM-SI	
2 x MM-SC		2 x MM-SC	
2 x MM-GBK		2 x MM-GBK	

Toggle clamps



Code	Description	a	b -0.2	d1 h8	d2	d3 H8	d4	d5	h1	h2	l1-0.5	l2	l3	l4	l5	s	m1 ±0.01	m2	m3 ±0.01	m4 ±0.01	m5	r	t	FH [N]	Fs [N]	M# [Nm]	△
MM.14020-NK	MM-BL-20-NK	27	10	28	M5	7	4.2	M5	16	51	150	37.5	70	21.5	4.5	32	12	7.5	17	22	13	27	13	4070	2220	60	640
MM.14032-NK	MM-BL-32-NK	36.5	12	40	M6	9	5	G 1/8	21	75.5	206	52	91	31	6	42	18	10	25	30	22	36.5	15	5620	4110	150	1500
MM.14040-NK	MM-BL-40-NK	44.5	16	50	M8	11	6.8	G 1/8	26	91.5	244	63	104	37	7.5	52	22	13	30	37	25	44.5	18	7530	6740	300	2820
MM.14050-NK	MM-BL-50-NK	52.5	18	60	M10	13	8.5	G 1/8	31	114	279	72.5	110.5	41.5	8	62	27	12	47	44	35	52.5	21	13300	9000	475	3800

# Maximum tightening moment at 6 bar.