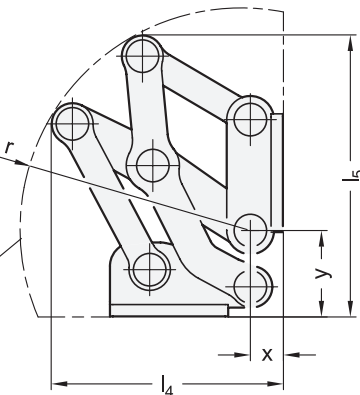


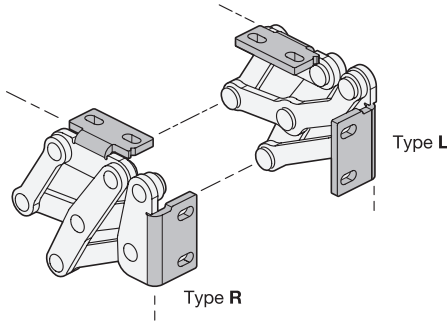
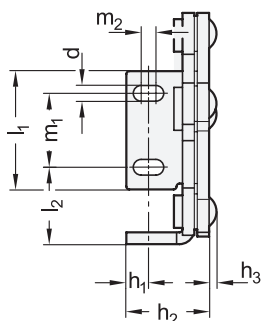
Installation space



ROSTFREI  
Rost  
frei  
Inox  
Stainless  
Steel

**3 Type**

- L** Fixing angle piece, left
- R** Fixing angle piece, right



**2**

$l_1$	$d$	$h_1$	$h_2$	$h_3$	$l_2$	$l_3$	$l_4$	$l_5$	$l_6$	$l_7$	$l_8$	$l_9$	$m_1$	$m_2$	$r$	$s$	$x$	$y$
40	5,3	7,5	28	2,5	26	36	78	95	23,9	75,8	23,9	85,8	25	5	77,5	4	11	29
50	6,5	10	35	2,5	35	46	101	126	37,2	97,9	37,2	108,6	30	6	97,5	5	19	37
60	8,5	12,5	40	2,5	40	61	126	163	63,9	117,8	63,9	138,6	36	8	127	5	22	47

**Specification**

- Stainless Steel AISI 304 **NI**
- Friction bearing **MT**  
Bronze self lubricated
- *Stainless Steel characteristics*  
→ Main Catalogue Page 1489
- **RoHS**

**On request**

- other materials
- other finishes
- other fixing angle pieces
- other opening angles
- other max. wall thicknesses
- other lifting motion

**Information**

Stainless Steel-Multiple-joint hinges GN 7231 are installed on the inside of flaps, hatches and doors to save space and ensure protection against vandalism. The hinges have a maximum opening angle of 90°, making them perfect for use with thick doors.

Use of this hinge type leaves housing exteriors free of attachments that do not match the design or that should be avoided entirely in the interests of fast and easy cleaning.

Stainless Steel-Multiple-joint hinges are generally used in pairs, meaning that one L type and one R type are used per opening. For higher loads, e.g. from large flaps or hatches, these can be supplemented with additional hinges of any type.

see also...

- *Stainless Steel-Spacer plates GN 2370* → Page 22
- *Stainless Steel-Plates GN 2372 (with tapped holes)* → Page 23
- *Stainless Steel-Plates GN 2376 (with threaded studs)* → Page 24

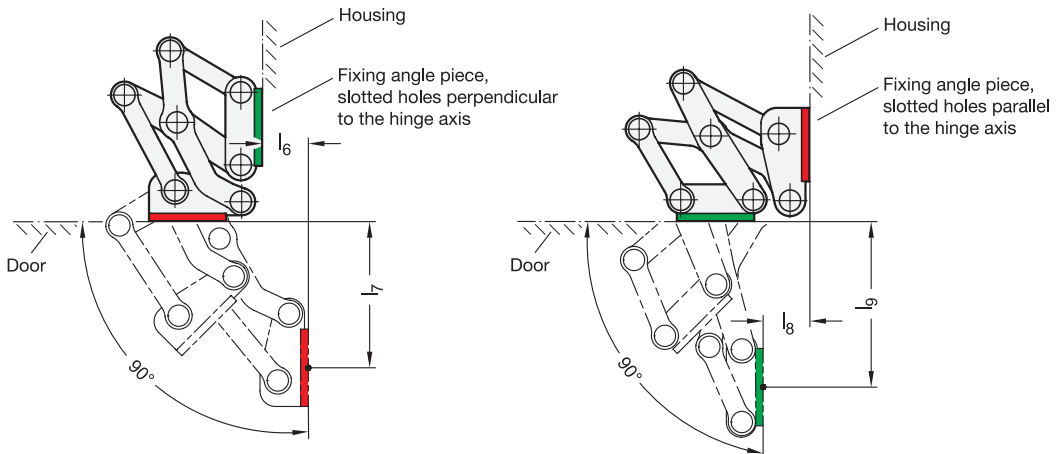
**How to order**

**GN 7231-NI-50-R-MT**

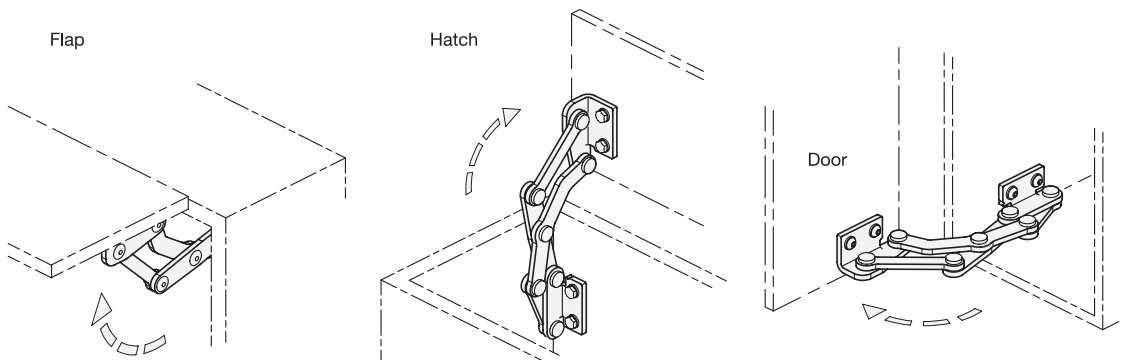
- 1** Material
- 2**  $l_1$
- 3** Type
- 4** Finish

## Installation position - pivot characteristics

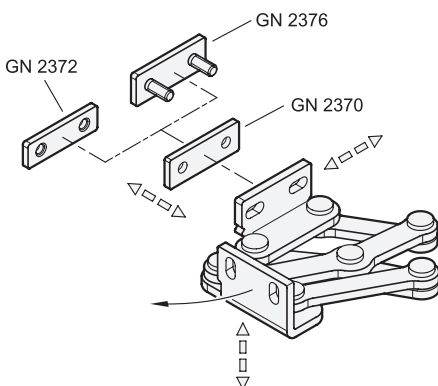
The Stainless Steel-Multiple-joint hinges can be installed on the housing with the slots of the fixing angle piece oriented either perpendicular or parallel to the hinge axis. This results in the two pivot characteristics depicted.



## Examples of use



## Adjustment and fastening options



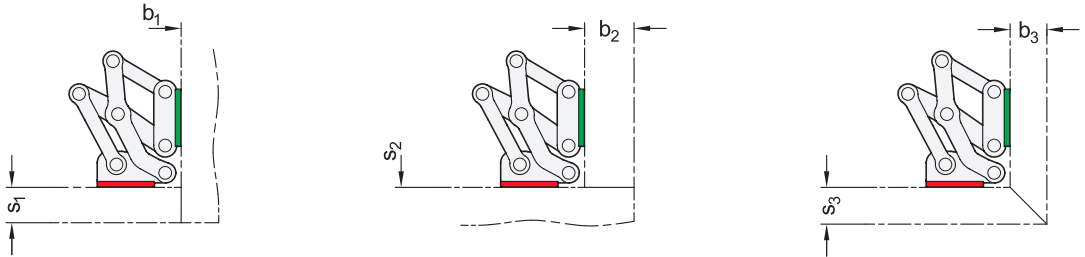
The Stainless Steel-Multiple-joint hinges can be adjusted in three planes during installation. For example, this allows tolerances to be adjusted or the required compressive forces for seals to be established. Two planes can be adjusted via the parallel or perpendicular slots in the fixing angle pieces. In the third plane, position corrections can be made using the Stainless Steel-Spacer plates GN 2370.

Stainless Steel-Plates with tapped holes GN 2372 as well as Stainless Steel-Plates with threaded studs GN 2376 are also available for fastening the hinges. The latter can be welded on or inserted through the wall from the outside and fastened in place. All accessory items are designed for use with both fixing angle pieces.

## Design variants

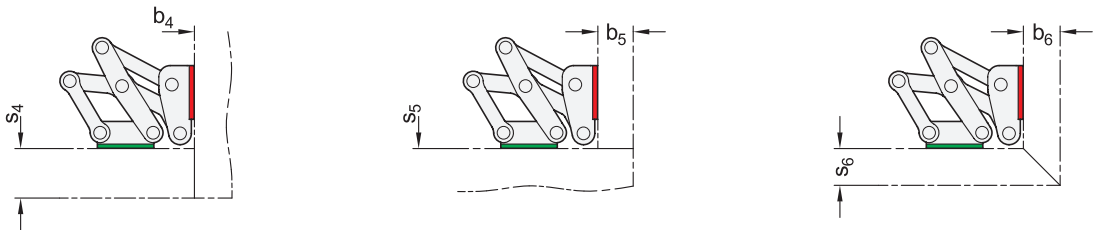
Flaps, hatches and doors can be inset, flush or mitered. The maximum wall thicknesses and bend sizes for sheet metal constructions given below arise from the respective installation type.

1. Fixing angle pieces mounted to the housing with slots perpendicular to the hinge axis:



$l_1$	$s_1$ max.	$b_1$	$s_2$ max.	$b_2$ max.	$s_3$ max.	$b_3$ max.
40	25	1 ... ∞	1 ... ∞	35	26	26
50	30	1 ... ∞	1 ... ∞	45	36	36
60	35	1 ... ∞	1 ... ∞	60	50	50

2. Fixing angle pieces mounted to the housing with slots parallel to the hinge axis:

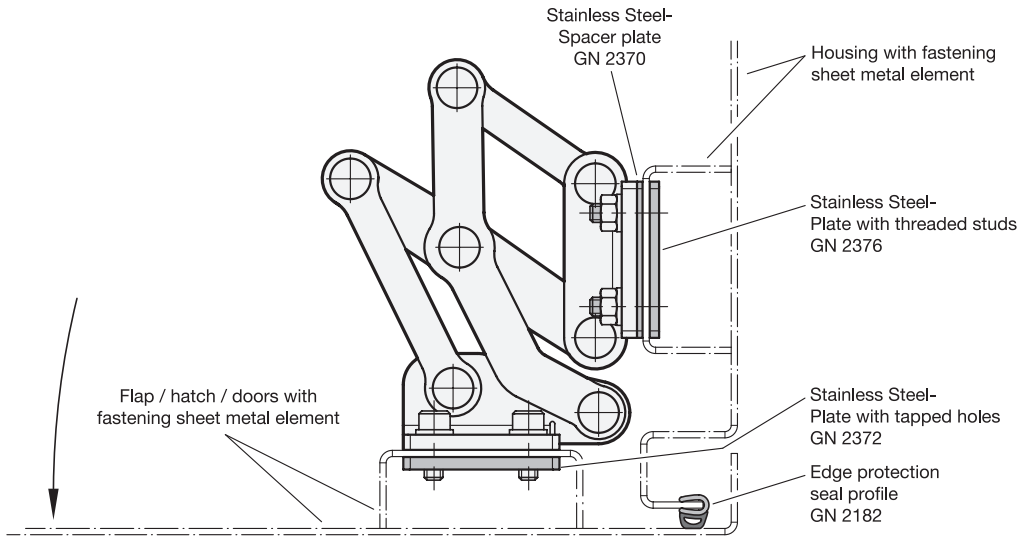


$l_1$	$s_4$ max.	$b_4$ max.	$s_5$	$b_5$ max.	$s_6$ max.	$b_6$ max.
40	35	1 ... ∞	1 ... ∞	25	26	26
50	45	1 ... ∞	1 ... ∞	30	36	36
60	60	1 ... ∞	1 ... ∞	35	50	50

The design variants shown represent standard installation conditions. If the installation position of the hinge is changed or one of the two wall thickness dimensions is lower than  $s$  or  $b$ , the maximum achievable dimensions change independently of each other. This makes it possible in some cases to work with larger wall thickness dimensions than those specified with the same hinge size. A simple design check via CAD or a test setup is therefore recommended.

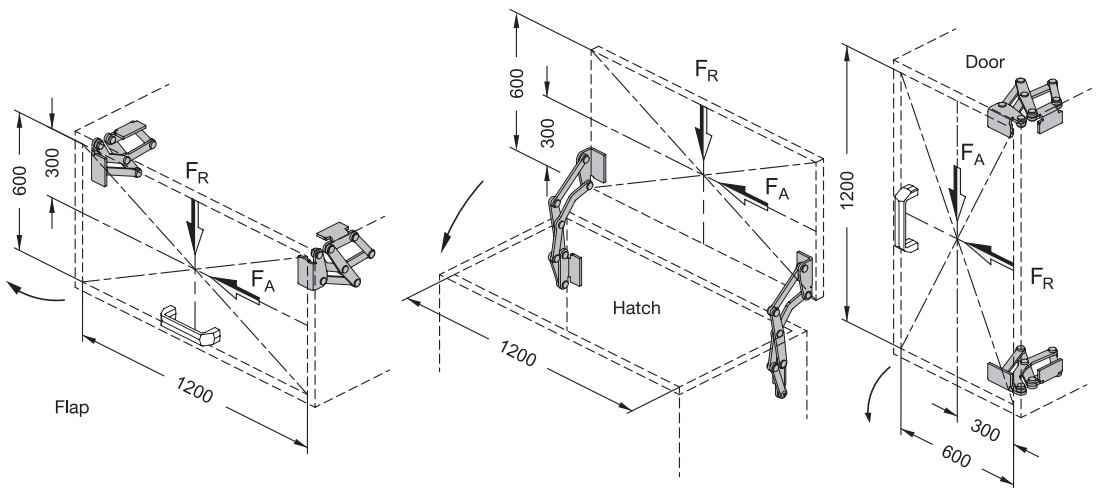


### Example of an assembly



### Load capacity

The maximum load of the Stainless Steel-Multiple-joint hinge specified below applies to the standard use cases and serves for orientation in the case of deviating applications. The resulting forces lead to slight elastic deformation, which can be compensated for by means of the adjustment options, if necessary.



Load capacity per hinge pair in N		
$I_1$	$F_A$ (axial)	$F_R$ (radial)
40	175	650
50	175	750
60	150	550