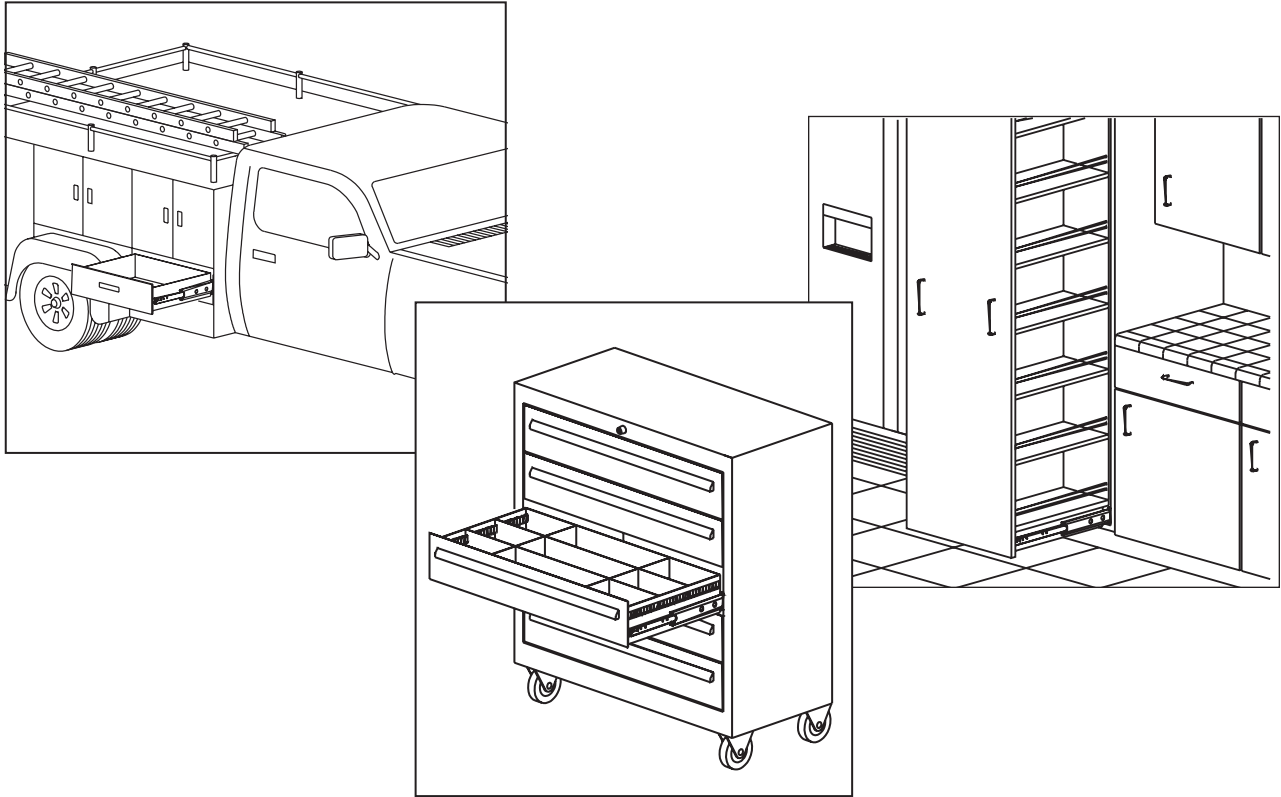


Accuride®

MODEL 9301

APPLICATIONS: This versatile slide is designed for use in a variety of heavy duty storage applications. Please preview the application information provided on the following pages for further load rating information.

Extra Heavy Duty
Full extension Drawer Slide
Up to 500 lb. [227 kg.] Load Rating
Optional Accessory Platform Brackets*



Finish	Bright electro-zinc (C) Plating		
Length	Even Lengths 10"–36", 40", 42", 44" 48", and 60" Even Lengths [254.0 mm–914.4 mm, 1016.0 mm, 1066.8 mm, 1117.6 mm, 1219.2 mm, 1371.6 mm, and 1524.0 mm]		
Travel	Full extension		
Height	3.00" [76.2 mm]		
Load Rating	Moderate Use	500 lbs. [227.3 kg.]	<i>(Refer to page two for specific application information)</i>
	Frequent Use	400 lbs. [181.8 kg.]	
	Mobile (Vehicular)	300 lbs. [136.4 kg.]	
	Flat Mount	150 lbs. [68.2 kg.]	
Side Space	.75" (+.031, -.000) [19.1 mm (+.79, -.00)]		
Mounting	Side or flat Optional accessory platform brackets available		
Movement	Steel ball bearings		
Hardware	Customer supplied mounting hardware Metal Applications: 1/4" hex-head or pan head [M6 Euro] screw with .260 [6.6 mm] holes -or- hex-head or pan head [M5 Euro] screw with .203 [5.2 mm] holes Wood applications: 1/4" lag or sheet metal screw -or- #10 lag or sheet metal screw. Maximum screw head of .190 [4.8 mm] high by .500 [12.7 mm] diameter for clearance		
Features	Bumper provides extra silencing during drawer closure		

The Accuride load ratings shown below represent a wide range of typical applications and take into consideration factors which can adversely affect the performance of a slide.

In general, slides installed in drawers that are wider than they are deep, are subject to lateral (side) stresses that reduce their load carrying capacity. Likewise, slides in applications that are cycled frequently also carry a lower load rating.

Please use the following information to determine the load rating of model 9301 as it pertains to its intended application.

Moderate Use Applications

500 lb. [227 kg.] load rating

Load rating is based on an 18" [457.2 mm] slide in an 18" [457.2 mm] wide drawer, cycled 10,000 times. A computer server storage unit may be cycled once per month for servicing. Electronic instrumentation may be cycled a few times each week.

Typical Applications

Computer server storage access
Electronic instrumentation chassis

Frequent Use Applications

400 lb. [182 kg.] load rating

Load rating is based on an 18" [457.2 mm] slide in a 42" [1066.8 mm] wide drawer, cycled 75,000 times. A storage drawer opened and closed an average of three times per hour during each eight-hour work day would undergo a total of 60,000 cycles in 10 years.

Typical Applications

Heavy duty storage drawers
Large pantry pull-outs
Toolboxes
Modular storage cabinets

Mobile (Vehicular) Applications

300 lb. [136 kg.] load rating

Load rating is based on an 18" [457.2 mm] slide in a 32" [812.8 mm] wide drawer, cycled 10,000 times. Use for any application associated with transportation, or any application exposed to vibration and rough usage.

Typical Applications

RV storage drawers
Vehicle battery trays
Service truck tool drawers

Flat Mount Applications

150 lb. [68 kg.] load rating

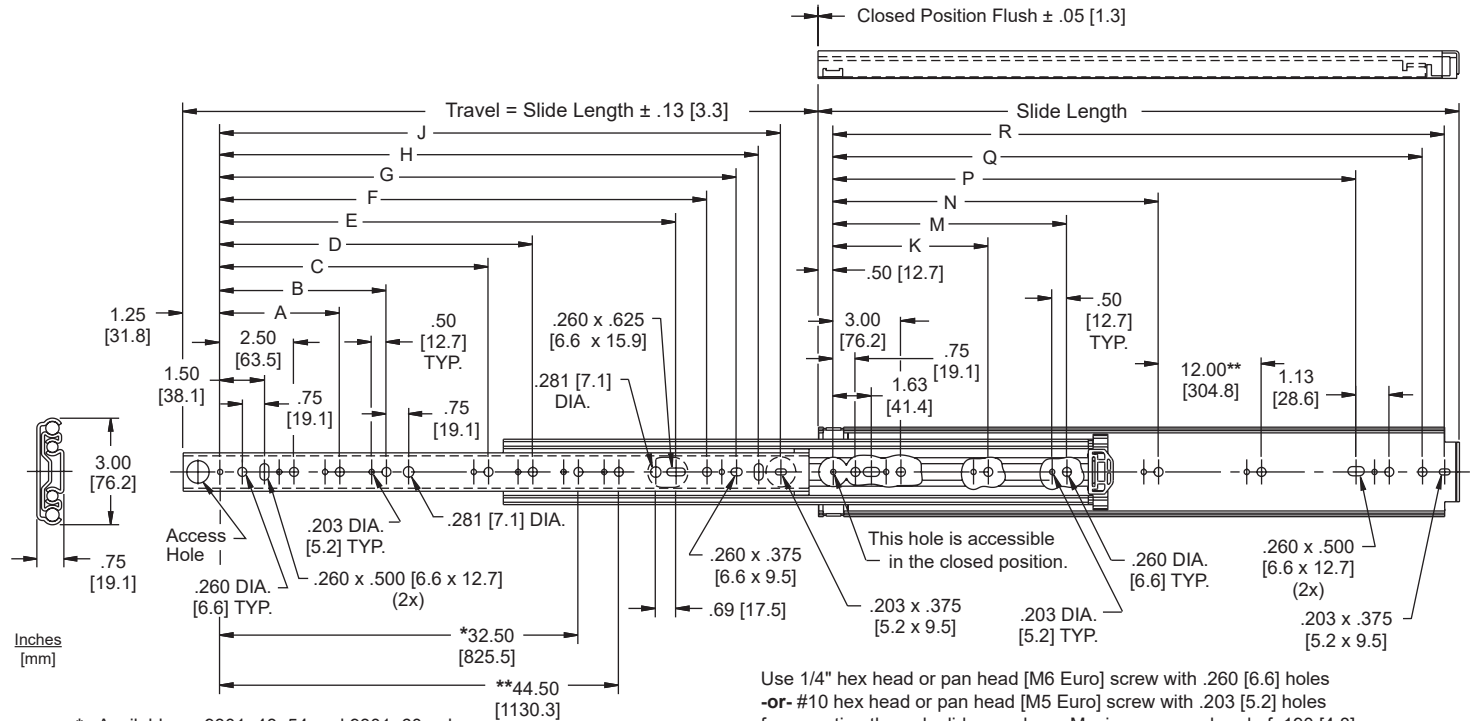
Load rating is based on an 18" [457.2 mm] slide in a 32" [812.8 mm] wide drawer, cycled 10,000 times. Use anywhere side space is limited.

Typical Applications

Flight status monitor cabinets

CAUTION:

This slide must never be used as a pull-out step, platform or any other application supporting human weight as injury may result.



* Available on 9301-48, 54 and 9301-60 only.
 ** Available on 9301-60 only

Part Number	Slide Length	Slide Travel	A	B	C	D	E	F	G	H	J	K	M	N	P	Q	R
9301-10	10.00 [254.0]	10.00 [254.0]						4.06 [103.1]	5.06 [128.5]	5.81 [147.6]	6.56 [166.6]				6.00 [152.4]	8.25 [209.6]	9.00 [228.6]
9301-12	12.00 [304.8]	12.00 [304.8]						6.06 [153.9]	7.06 [179.3]	7.81 [198.4]	8.56 [217.4]				8.00 [203.2]	10.25 [260.4]	11.00 [279.4]
9301-14	14.00 [355.6]	14.00 [355.6]						8.06 [204.7]	9.06 [230.1]	9.81 [249.2]	10.56 [268.2]				10.00 [254.0]	12.25 [311.2]	13.00 [330.2]
9301-16	16.00 [406.4]	16.00 [406.4]	5.00 [127.0]					10.06 [255.5]	11.06 [280.9]	11.81 [299.9]	12.56 [319.0]				12.00 [304.8]	14.25 [361.9]	15.00 [381.0]
9301-18	18.00 [457.2]	18.00 [457.2]	5.00 [127.0]				9.69 [246.1]	12.06 [306.3]	13.06 [331.7]	13.81 [350.8]	14.56 [369.8]				14.00 [355.6]	16.25 [412.8]	17.00 [431.8]
9301-20	20.00 [508.0]	20.00 [508.0]	5.00 [127.0]	7.50 [190.5]			11.69 [296.9]	14.06 [357.1]	15.06 [382.5]	15.81 [401.6]	16.56 [420.6]				16.00 [406.4]	18.25 [463.6]	19.00 [482.6]
9301-22	22.00 [558.8]	22.00 [558.8]	5.00 [127.0]	7.50 [190.5]			13.69 [347.7]	16.06 [407.9]	17.06 [433.3]	17.81 [452.4]	18.56 [471.4]				18.00 [457.2]	20.25 [514.4]	21.00 [533.4]
9301-24	24.00 [609.6]	24.00 [609.6]	5.00 [127.0]	7.50 [190.5]			15.69 [398.5]	18.06 [458.7]	19.06 [484.1]	19.81 [503.2]	20.56 [522.2]				20.00 [508.0]	22.25 [565.2]	23.00 [584.2]
9301-26	26.00 [660.4]	26.00 [660.4]	5.00 [127.0]	7.50 [190.5]			17.69 [449.3]	20.06 [509.5]	21.06 [534.9]	21.81 [553.9]	22.56 [573.0]				22.00 [558.8]	24.25 [615.9]	25.00 [635.0]
9301-28	28.00 [711.2]	28.00 [711.2]	5.00 [127.0]	7.50 [190.5]			19.69 [500.1]	22.06 [560.3]	23.06 [585.7]	23.81 [604.8]	24.56 [623.8]				24.00 [609.6]	26.25 [666.8]	27.00 [685.8]
9301-30	30.00 [762.0]	30.00 [762.0]	5.00 [127.0]	7.50 [190.5]	14.50 [368.3]		21.69 [550.9]	24.06 [611.1]	25.06 [636.5]	25.81 [655.6]	26.56 [674.6]	9.25 [234.9]		19.75 [501.6]	26.00 [660.4]	28.25 [717.6]	29.00 [736.6]
9301-32	32.00 [812.8]	32.00 [812.8]	5.00 [127.0]	7.50 [190.5]	14.50 [368.3]		23.69 [601.7]	26.06 [661.9]	27.06 [687.3]	27.81 [706.4]	28.56 [725.4]	9.25 [234.9]	15.50 [393.7]	21.75 [552.5]	28.00 [711.2]	30.25 [768.4]	31.00 [787.4]
9301-34	34.00 [863.6]	34.00 [863.6]	5.00 [127.0]	7.50 [190.5]	14.50 [368.3]	18.50 [469.9]	25.69 [652.5]	28.06 [712.7]	29.06 [738.1]	29.81 [757.2]	30.56 [776.2]	9.25 [234.9]	16.50 [419.1]	23.75 [603.3]	30.00 [762.0]	32.25 [819.2]	33.00 [838.2]
9301-36	36.00 [914.4]	36.00 [914.4]	5.00 [127.0]	7.50 [190.5]	14.50 [368.3]	20.50 [520.7]	27.69 [703.3]	30.06 [763.5]	31.06 [788.9]	31.81 [807.9]	32.56 [827.0]	9.25 [234.9]	17.50 [444.5]	25.75 [654.1]	32.00 [812.8]	34.25 [870.0]	35.00 [889.0]
9301-40	40.00 [1016.0]	40.00 [1016.0]	5.00 [127.0]	7.50 [190.5]	14.50 [368.3]	20.50 [520.7]	31.69 [804.9]	34.06 [865.1]	35.06 [890.5]	35.81 [909.6]	36.56 [928.6]	9.25 [235.0]	21.50 [546.1]	29.75 [755.7]	36.00 [914.4]	38.25 [971.6]	39.00 [990.6]
9301-42	42.00 [1066.8]	42.00 [1066.8]	5.00 [127.0]	7.50 [190.5]	14.50 [368.3]	20.50 [520.7]	33.69 [855.7]	36.06 [915.9]	37.06 [941.3]	37.81 [960.4]	38.56 [979.4]	9.25 [235.0]	21.50 [546.1]	31.75 [806.5]	38.00 [965.2]	40.25 [1022.4]	41.00 [1041.4]
9301-44	44.00 [1117.6]	44.00 [1117.6]	5.00 [127.0]	7.50 [190.5]	14.50 [368.3]	20.50 [520.7]	35.69 [906.5]	38.06 [966.7]	39.06 [992.1]	39.81 [1011.2]	40.56 [1030.2]	9.25 [235.0]	21.5 [546.1]	33.75 [857.3]	40.00 [1016.0]	42.25 [1073.2]	43.00 [1092.2]
9301-48	48.00 [1219.2]	48.00 [1219.2]	5.00 [127.0]	7.50 [190.5]	14.50 [368.3]	20.50 [520.7]	39.69 [1008.1]	42.06 [1068.3]	43.06 [1093.7]	43.81 [1112.8]	44.56 [1131.8]	9.25 [234.9]	23.50 [596.9]	37.75 [958.9]	44.00 [1117.6]	46.25 [1174.8]	47.00 [1193.8]
9301-60	60.00 [1524.0]	60.00 [1524.0]	5.00 [127.0]	7.50 [190.5]	14.50 [368.3]	20.50 [520.7]	51.69 [1312.9]	54.06 [1373.1]	55.06 [1398.5]	55.81 [1417.6]	56.56 [1436.6]	9.25 [234.9]	23.50 [596.9]	37.75 [958.9]	56.00 [1422.4]	58.25 [1479.6]	59.00 [1498.6]