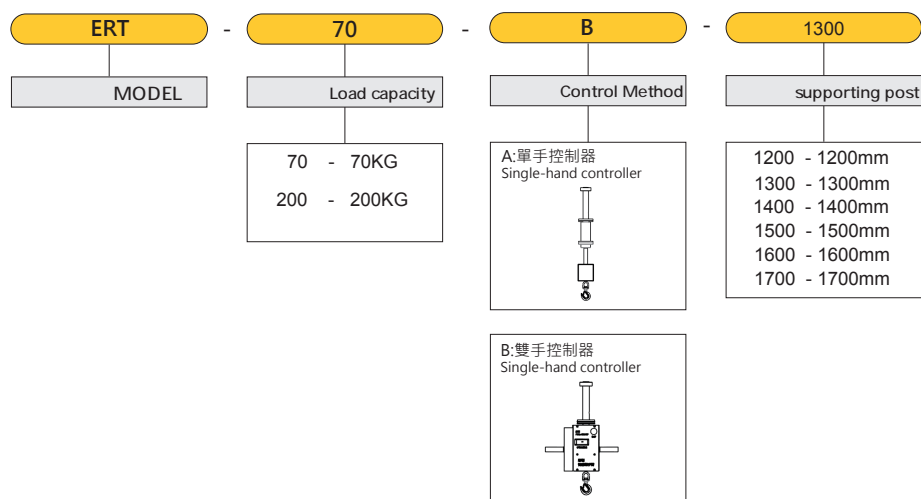




## Technical data

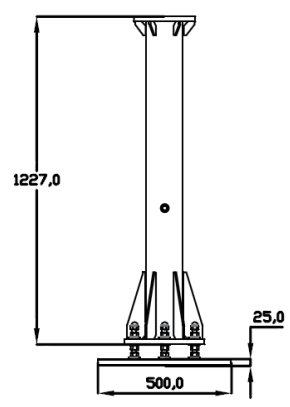
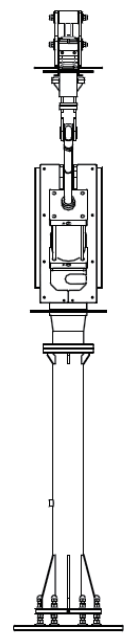
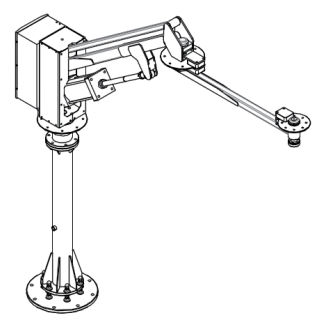
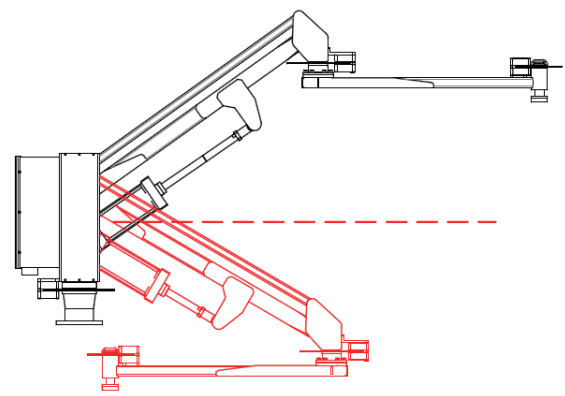
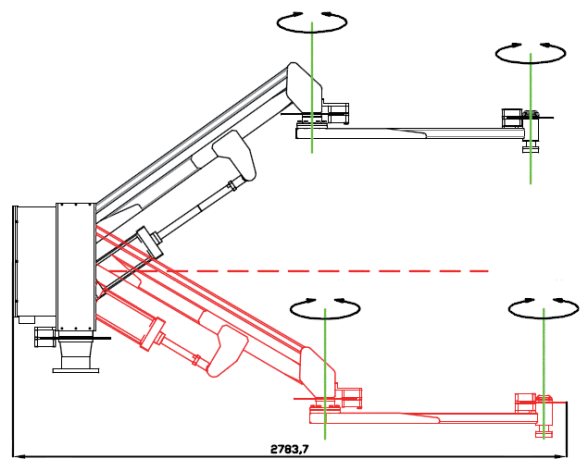
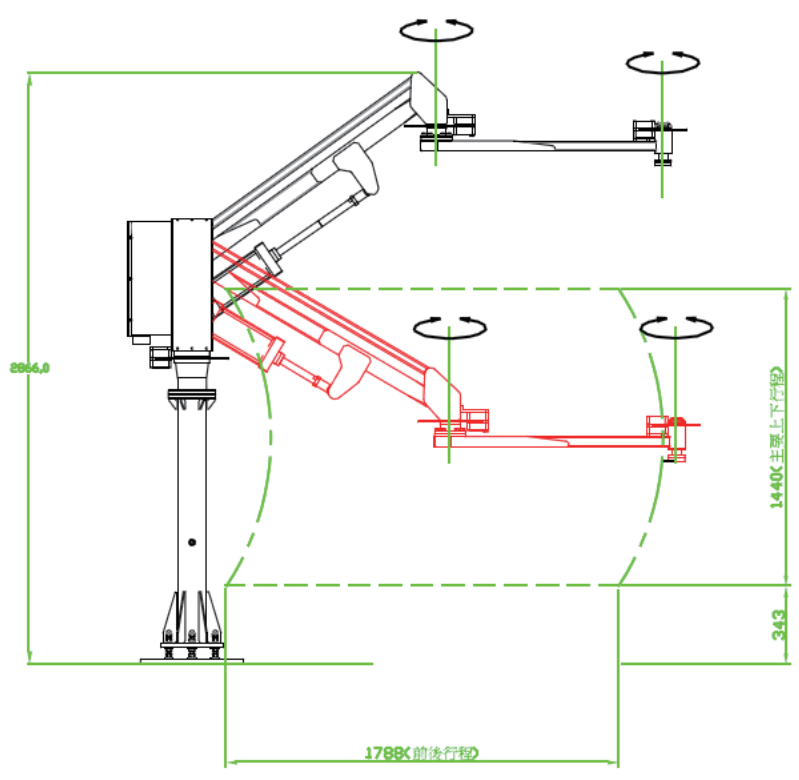
Model		ERT-70	ERT-200
The scope of work		半徑2350mm*300度	radius2350mm * 300 degree
Load capacity	KG	70	200
全系列都為自動測量重量,無須調整 Full range of automatic measurements are by weight, no need to adjust			
power supply	s	220V三相 220V three-phase	
Min. pressure	bar	2	2
Max. pressure	bar	8	8
/ Min. /max. temperature	°C	5 - 80	5 - 80
Weight	Kg	300	450

## How to code



PS:ERT  
PS: ERT packaging products shipped an extra charge

**R**



**ERT-70**