

CONCEALED HINGE (SURFACE MOUNT) **GST-90-200** For Both Overlay And Inset Doors



● Can be used for overlay and inset.

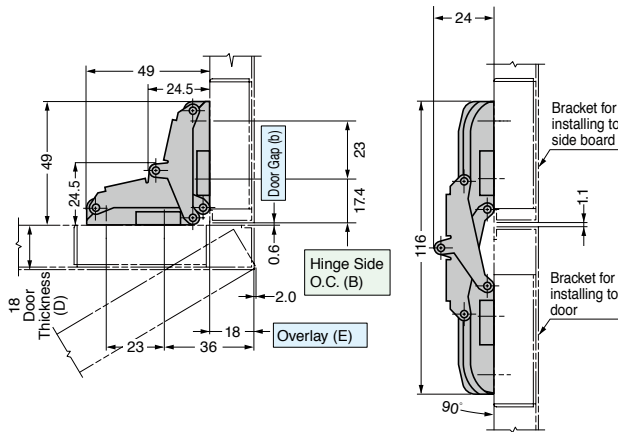
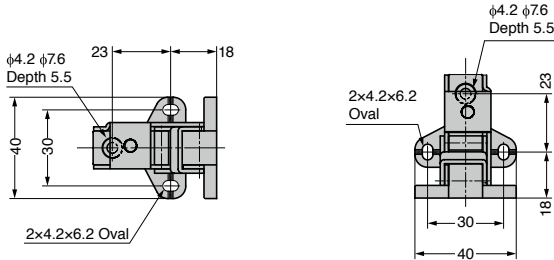
[Recommended Screws]

- Binding head screw M4
- Pan head tapping screw 4

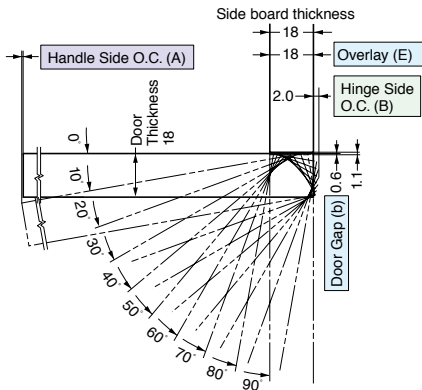
Part Name	Material	Finish / Colour
Body	PA	Ivory
Arm	Steel (SPCC)	Chrome

Item Name	Description	Overlay	Door Thickness	Opening Angle	Weight (g)
GS-T-90-200	Without Catch	15~18	15~18	90°	42

● Outline drawing S ≐ 1/3



● Locus chart S ≐ 1/3 (How to Use the Locus Chart)



Drawing above is door thickness 18mm, side board thickness 18mm and 18mm overlay.

[Opening Clearance (O.C.) and Door Gap(b)]

Handle side O.C. (A), hinge side O.C. (B) and Door Gap (b) are necessary (see the locus chart and outline drawing). Pay full attention to it in door design.

[Hinge Side O.C. (B)]

Table -1

Door Thickness (D)	Hinge Side O.C. (B)			
	Overlay (E) 15	Overlay (E) 16	Overlay (E) 17	Overlay (E) 18
15	1.1	0.5	0	0
16	2.0	1.4	0.8	0.2
17	2.9	2.3	1.7	1.1
18	3.8	3.2	2.6	2.0

※Please refer to How to Use the Locus Chart if door thickness is over 18mm

[Handle Side O.C.(A)]

Table -2

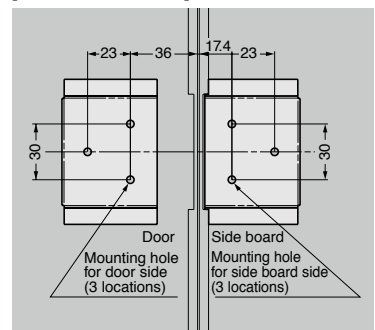
Door Thickness (D)	Handle Side O.C. (A)		
	Door Width 300	Door Width 400	Door Width 500
15	0.5	0.4	0.3
16	0.5	0.4	0.4
17	0.5	0.4	0.4
18	0.5	0.4	0.4

[Overlay (E)]

Table -3

Overlay (E)	Door Gap (b)
15	0.2
16	0.3
17	0.5
18	0.6

[Cut Out Dimensions] For metal door



Drawing above is door thickness 18mm, side board thickness 18mm and 18mm overlay.