

GLASS DOOR HINGE (W/ CATCH) **GS-GHC34-8** For Overlay Door

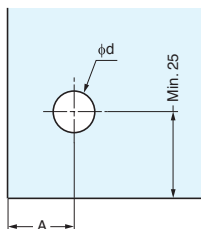


- Hinge for glass/acrylic doors.
- Square plate type GS-GH34-8CR-K also available

[Remarks]

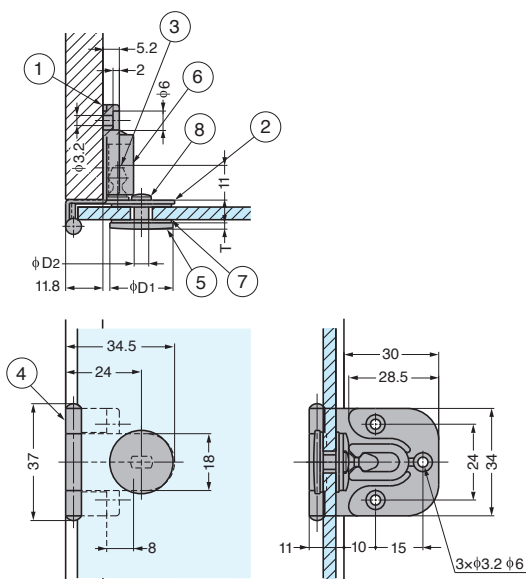
- Recommended for use in pairs.
- Use screw loosening prevention agent when mounting screws.
- Load capacity is the value when using two hinges. For calculation conditions, please refer to INDEX

[Cut Out Dimensions]



Boring position changes with the glass thickness.

Glass Thickness	A	Overlay
4	19	7
5	18	6
6	17	5



No.	Part Name	Material			
		GS-GHC34-8G	GS-GHC34-8B	GS-GHC34-8CR	GS-GHC34-8CR-W
①	Body	Steel	Stainless Steel (SUS304)	Steel	
②	Arm	SPCC			
③	Striker	Brass	Stainless Steel (SUS303)	Brass	
④	Shaft	Steel (SWCH)	Stainless Steel (SUS304)	Steel	
⑤	Plate	Copper Alloy	Aluminium Alloy	Brass	Zinc Alloy
⑥	Catch	POM			
⑦	Washer	PVC			
⑧	Binding head screw	Brass	Steel		

No.	Part Name	Finish / Colour			
		GS-GHC34-8G	GS-GHC34-8B	GS-GHC34-8CR	GS-GHC34-8CR-W
①	Body	Gold, Clear	Black Enamel Finish	Chrome	
②	Arm				
③	Striker				
④	Shaft				
⑤	Plate	Polished, Clear	Black Anodised		
⑥	Catch	Black			Natural
⑦	Washer	Clear			
⑧	Binding head screw	Brass	Nickel		

Item Name	D ₁	D ₂	d	T	Door Width	Door Height	Glass Thickness	Load Capacity N/2 pcs	Load Capacity kgf/2 pcs	Weight (g)
GS-GHC34-8G	20	6.5	8	2	Max. 450	Max. 700	4, 5, 6	39	4	36
GS-GHC34-8B	21	8	10	3				49	5	32
GS-GHC34-8CR	20	6.5	8	2				39	4	36

※ Load capacity has priority over glass size.