

# GLASS DOOR HINGE GS-GH34-8 For Overlay Door

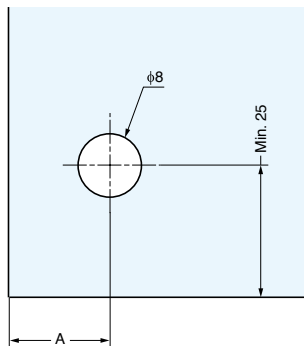


● Hinge for glass/acrylic doors. Square plate type GS-GH34-8CR-K also available.

### [Remarks]

- Recommended for use in pairs.
- Use screw loosening prevention agent when mounting screws.
- Note that scratch is conspicuous on black surface.
- Load capacity is the value when using two hinges. For calculation conditions, please refer to INDEX

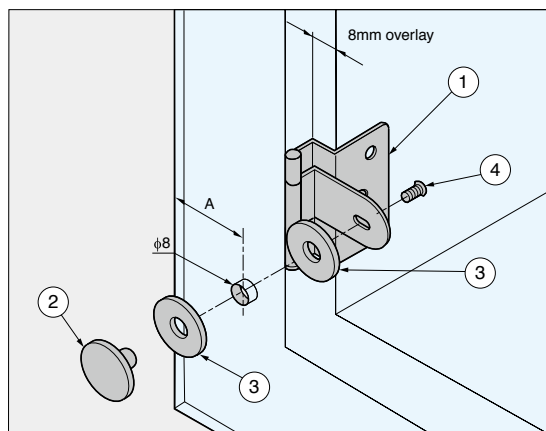
### [Cut Out Dimensions]



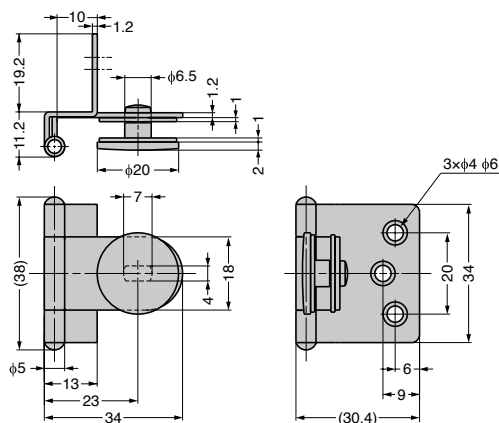
Boring position changes with the glass thickness.

Glass Thickness	A	Overlay
4	19	8
5	18	7
6	17	6

### [Parts Composition]



No.	Part Name	Material	Finish / Colour
①	Body	Steel	Chrome, Paint/Black
②	Plate	Brass	
③	Washer	PVC	Clear
④	Screw	Steel	Nickel, Paint/Black



Item Name	Finish	Door Width	Door Height	Glass Thickness	Door Weight kg/2pcs	Load Capacity N/2 pcs	Load Capacity kgf/2 pcs	Weight (g)
GS-GH34-8CR	Chrome	Max.	Max.	4, 5, 6	Max. 4	39	4	25
GS-GH34-8BL	Paint/Black	450	700					

※ Load capacity has priority over glass size.