

# GLASS DOOR HINGE **GS-GH34-OSS** For Inset Door

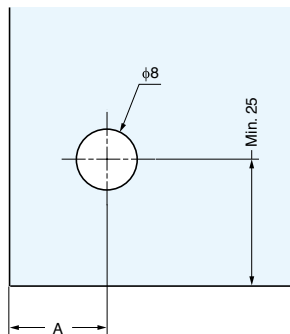


● Hinge for glass/acrylic doors.

### [Remarks]

- Recommended for use in pairs.
- Use screw loosening prevention agent when mounting screws.
- Load capacity is the value when using two hinges. For calculation conditions, please refer to INDEX

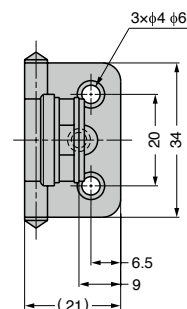
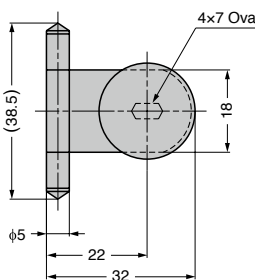
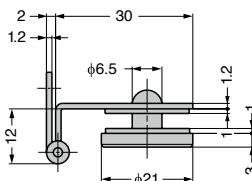
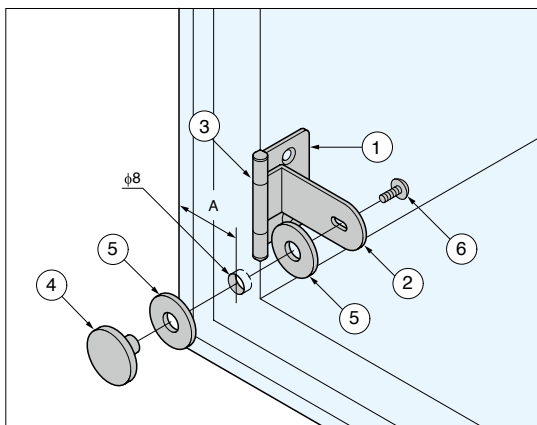
### [Cut Out Dimensions]



Boring position changes with the glass thickness.

Glass Thickness	A
4	19
5	18
6	17

### [Parts Composition]



No.	Part Name	Material	Finish / Colour
①	Body	Stainless Steel	Plain
②	Arm	(SUS304)	
③	Shaft	Stainless Steel	Circular Satin Anodised Silver
④	Plate	Aluminium Alloy	
⑤	Washer	PVC	Clear
⑥	※Screw	Stainless Steel	Plain

※Truss head screw M3×6

Item Name	Door Width	Door Height	Glass Thickness	Load Capacity N/2 pcs	Load Capacity kgf/2 pcs	Weight (g)
GS-GH34-OSS	Max. 450	Max. 700	4, 5, 6	49	5	15

※ Load capacity has priority over glass size.