

GLASS DOOR HINGE GS-GH34-8SS For Overlay Door

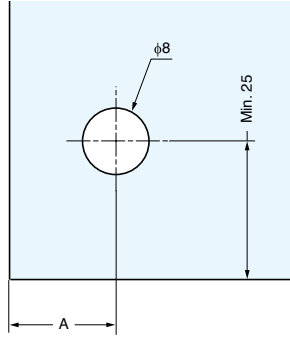


● Hinge for glass/acrylic doors.

[Remarks]

- Recommended for use in pairs.
- Use screw loosening prevention agent when mounting screws.
- Load capacity is the value when using two hinges. For calculation conditions, please refer to INDEX

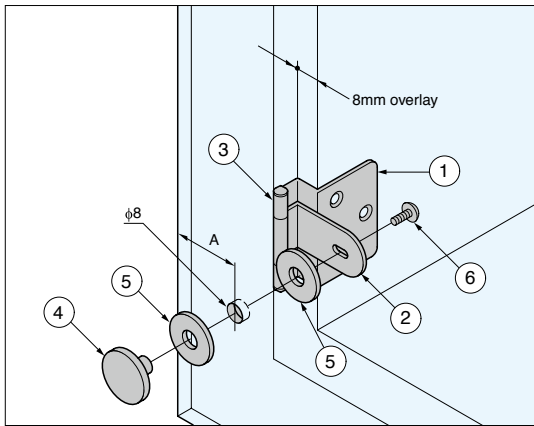
[Cut Out Dimensions]



Boring position changes with the glass thickness.

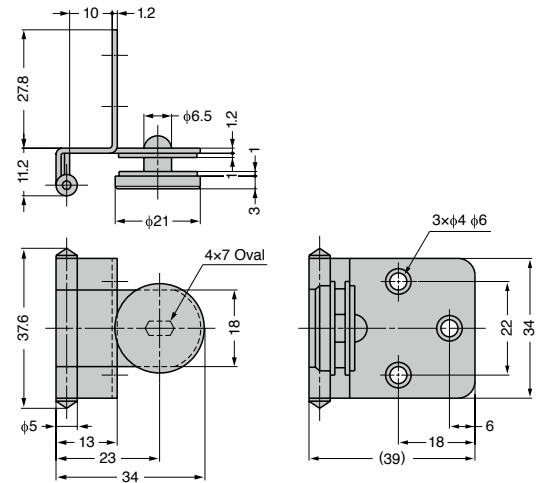
Glass Thickness	A	Overlay
4	19	8
5	18	7
6	17	6

[Parts Composition]



No.	Part Name	Material	Finish / Colour
①	Body	Stainless Steel	Plain
②	Arm	(SUS304)	
③	Shaft	Stainless Steel	Circular Satin Anodised Silver
④	Plate	Aluminium Alloy	
⑤	Washer	PVC	Clear
⑥	※Screw	Stainless Steel	Plain

※ Truss head screw M3x 6



Item Name	Door Width	Door Height	Glass Thickness	Load Capacity N/2 pcs	Load Capacity kg/2 pcs	Weight (g)
GS-GH34-8SS	Max.450	Max.700	4,5,6	49	5	21

※ Load capacity has priority over glass size.