

# GLASS DOOR HINGE (W/ CATCH) **GS-GHC34-8CR-K** For Overlay Door

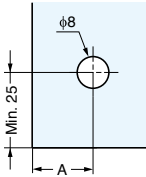


- Hinge for glass/acrylic doors.
- Round plate type GS-GHC34-8CR also available.

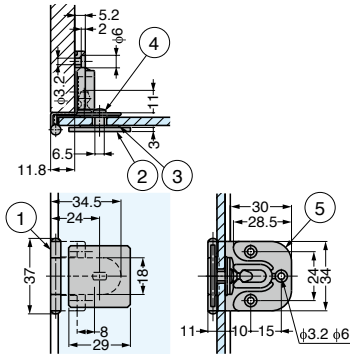
### [Remarks]

- Recommended for use in pairs.
- Use screw loosening prevention agent when mounting screws.
- Load capacity is the value when using two hinges. For calculation conditions, please refer to INDEX

### [Cut Out Dimensions]



Boring position changes with the glass thickness.



|  |  |  | No. | Part Name | Material         | Finish / Colour |
|--|--|--|-----|-----------|------------------|-----------------|
|  |  |  | ①   | Body      | Steel            | Chrome          |
|  |  |  | ②   | Plate     | Zinc Alloy (ZDC) |                 |
|  |  |  | ③   | Washer    | PVC              | Clear           |
|  |  |  | ④   | Screw     | Steel            | Nickel          |
|  |  |  | ⑤   | Catch     | POM              | Black           |

| Glass Thickness | A  | Overlay |
|-----------------|----|---------|
| 4               | 19 | 7       |
| 5               | 18 | 6       |
| 6               | 17 | 5       |

| Item Name      | Door Width | Door Height | Glass Thickness | Load Capacity N/2 pcs | Load Capacity kgf/2 pcs | Weight (g) |
|----------------|------------|-------------|-----------------|-----------------------|-------------------------|------------|
| GS-GHC34-8CR-K | Max.450    | Max.700     | 4,5,6           | 39                    | 4                       | 43         |

※ Load capacity has priority over glass size.