

GLASS DOOR HINGE **GS-GH34-8CR-K** For Overlay Door

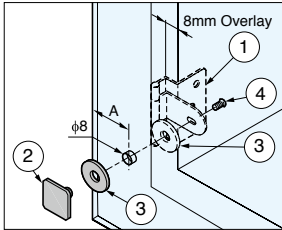


- Hinge for glass/acrylic doors.
- Round plate type GS-GH34-8CR also available.

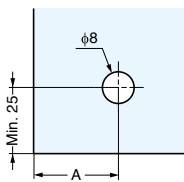
[Remarks]

- Recommended for use in pairs.
- Use screw loosening prevention agent when mounting screws.
- Load capacity is the value when using two hinges. For calculation conditions, please refer to INDEX

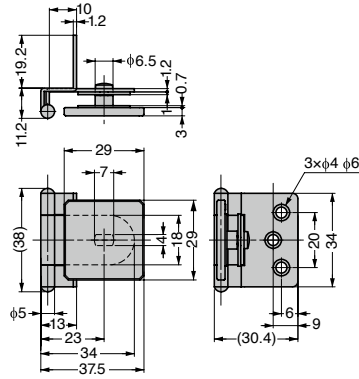
[Parts Composition]



[Cut Out Dimensions]



Boring position changes with the glass thickness.



Glass Thickness	A	Overlay
4	19	8
5	18	7
6	17	6

No.	Part Name	Material	Finish / Colour
①	Body	Steel	Chrome
②	Plate	Zinc Alloy (ZDC)	
③	Washer	PVC	Clear
④	Screw	Steel	Nickel

Item Name	Door Width	Door Height	Glass Thickness	Load Capacity N/2 pcs	Load Capacity kgf/2 pcs	Weight (g)
GS-GH34-8CR-K	Max.450	Max.700	4,5,6	39	4	37

※ Load capacity has priority over glass size.