

# GLASS DOOR LIFT-OFF HINGE **GS-GH36-NCR** For Inset Door

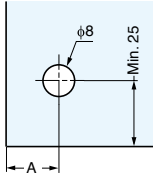


- Hinge for glass/acrylic doors.

### [Remarks]

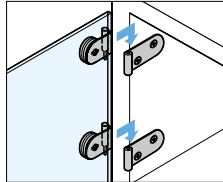
- Recommended for use in pairs.
- Use screw loosening prevention agent when mounting screws .
- Load capacity is the value when using two hinges. For calculation conditions, please refer to INDEX

### [Cut Out Dimensions]

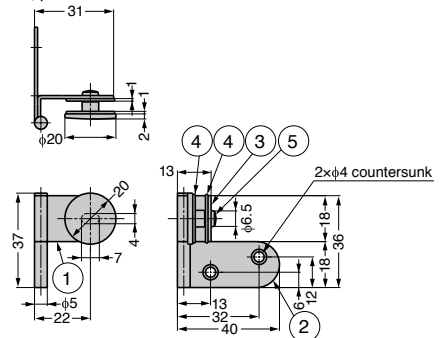


Boring position changes with the glass thickness.

### [Installation Example]



Glass Thickness	A
4	19
5	18
6	17



No.	Part Name	Material	Finish / Colour
①	Body (Male)	Steel (SPCC)	Chrome
②	Body (Female)		
③	Plate	Brass	
④	Washer	PVC	Clear
⑤	Screw	Steel (SWCH)	Nickel

Item Name	Type	Door Width	Door Height	Glass Thickness	Load Capacity N/2 pcs	Load Capacity kgf/2 pcs	Weight (g)
GS-GH36-NCRR	Right-handed	Max.	Max.	4, 5, 6	39	4	24.5
GS-GH36-NCRL	Left-handed	450	700				

※ Load capacity has priority over glass size.