

# GLASS DOOR HINGE (W/O CATCH) GS-GH-456N For Overlay Door



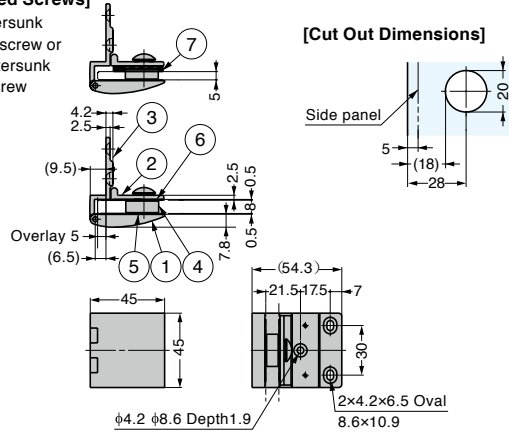
- Suitable for showcases and covers for machine.
- Mounting position adjustable: Vertically  $\pm 1\text{mm}$ , Horizontally  $\pm 1.2\text{mm}$ .
- Inset door hinge is also available.

### [Remarks]

- Without catch. For type with catch, Refer to GS-GH-456C
- Load capacity is the value when using two hinges. For calculation conditions, please refer to INDEX

### [Recommended Screws]

- Size 4 Countersunk head tapping screw or size 3.8 countersunk head wood screw



### [Glass Thickness and Qty of Spacers]

Glass Thickness	5	6	8
Qty of Spacers	3	2	No Spacer

No.	Part Name	Material	Finish
①	Front Plate	Copper Alloy (C3604)	SN: Satin Nickel
②	Fixing Plate B		CR: Chrome
③	Hinge Plate		GC: Gold
④	Shaft	Stainless Steel (SUS303)	Plain
⑤	Glass Adjustment Block	PA	
⑥	Pad A	Chloroprene Rubber (CR)	Black
⑦	Pad B		
⑧	Spacer (Small)	PP	
⑨	Truss Head Screw	Stainless Steel	-
⑩	Spring Washer		

Item Name	Finish	Door Width	Door Height	Glass Thickness	Load Capacity N/2 pcs	Load Capacity kgf/2 pcs	Weight (g)
GS-GH-456N-SN	Satin Nickel	Max. 600	Max. 1200	5, 6, 8	148	15	206
GS-GH-456N-CR	Chrome						206
GS-GH-456N-GC	Gold						206

※ Load capacity has priority over glass size.