

GLASS DOOR HINGE GS-XL-GH03-48-8 For Overlay Door



- Only two round holes needed on the door for one hinge.

[Applications]

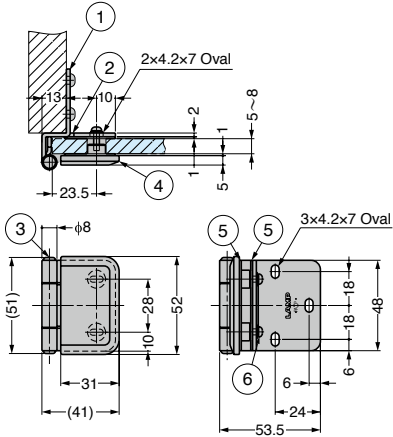
- Glass or acrylic doors, various showcases, etc.

[Remarks]

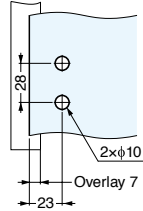
- Recommended for use in pairs.
- Load capacity is the value when using two hinges. For calculation conditions, please refer to INDEX

[Parts Included]

- Spacer (2 pcs)
- Truss head screw M4x 12 (2 pcs)



[Cut Out Dimensions]



No.	Part Name	Material	Finish / Colour	
			CR	GC
①	Hinge Plate	Stainless Steel (SUS304)	Polished	Gold, Clear
②	Arm			
③	Shaft	Zinc Alloy (ZDC)	Chrome	Natural
④	Plate			
⑤	Spacer	Polyethylene	Natural	Natural
⑥	Screw	Stainless Steel (SUS304)	Plain	Plain

Item Name	Door Width	Door Height	Glass Thickness	Load Capacity N/2 pcs	Load Capacity kgf/2 pcs	Weight (g)
GS-XL-GH03-48-8CR	Max.	Max.	5, 6, 8	118	12	141
GS-XL-GH03-48-8GC	650	900				148

※ Load capacity has priority over glass size.