

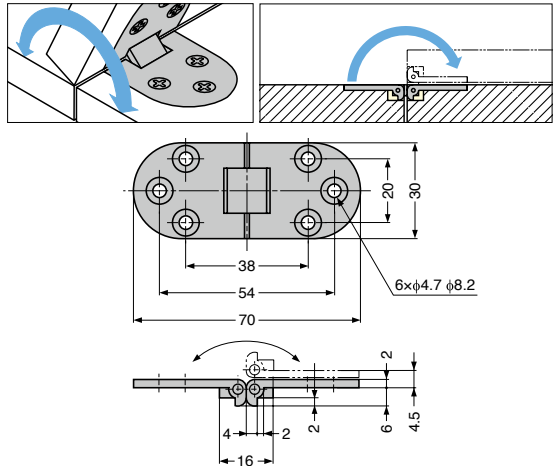
TABLETOP HINGE GS-MH-30



- Double pivot hinge allows 180° opening.

[Remarks]

- Recommended door dimensions in the table below are the value when using two hinges for one door.
- Load capacity is the value when using two hinges. For calculation conditions, please refer to INDEX



Item Name	Material	Finish	Door Width	Door Height	Door Thickness	Load Capacity N/2 pcs	Load Capacity kgf/2 pcs	Opening Angle	Weight (g)
GS-MH-30M	Brass	Polished	Max. 450	Max. 700	Max. 21	29	3	180°	45
GS-MH-30WB		White Bronze Plating							
GS-MH-30CR		Chrom							