

DROP HINGE (ADJUSTABLE TYPE) GS-SDH-P



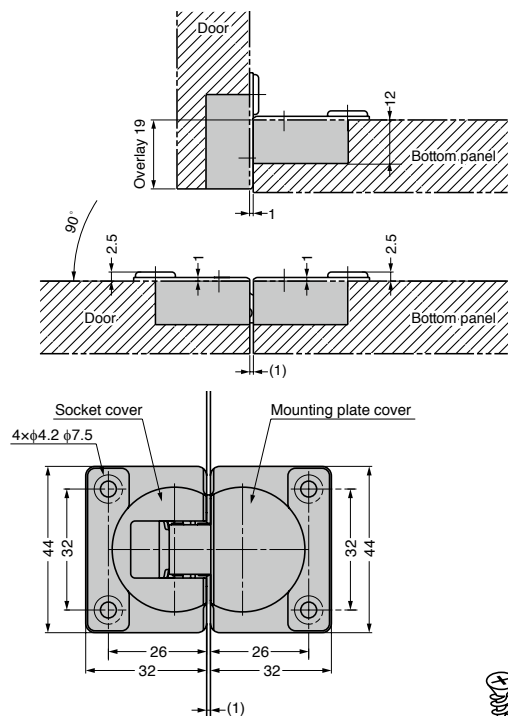
- 3-way adjustment.
Overlay: 16-19mm / Horizontal: ± 1 mm / Door gap: 1-3mm
- Can be used with soft-down stay GS-SDS-100, GS-SDS-100TV, GS-NSDX-10(R/L), GS-NSDX-10(R/L)K-TV, GS-CSD-10-TV.
- Bore depth: 12mm

[Recommended Screws]

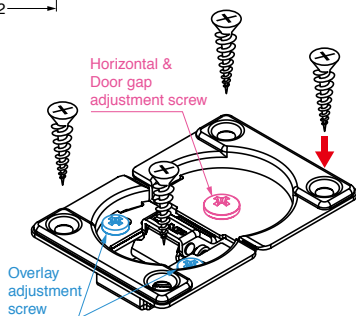
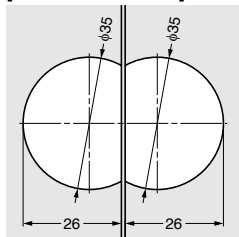
- Pan head tapping screw 3.5x 15

Hinges and covers are packed separately.

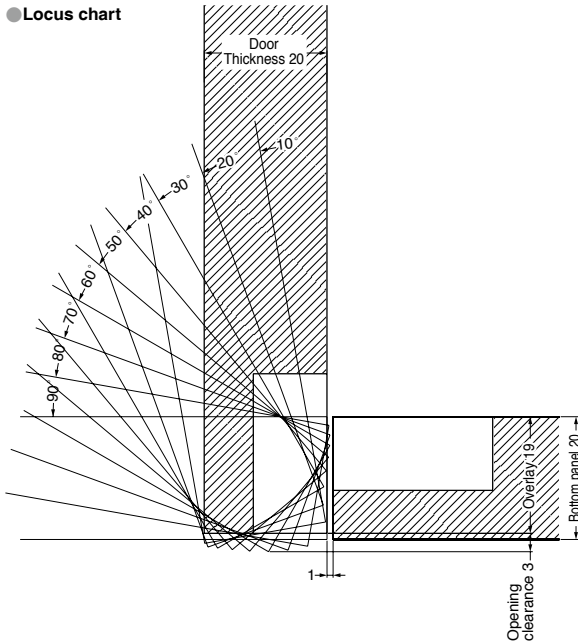
● **Outline drawing**



[Cut Out Dimensions]



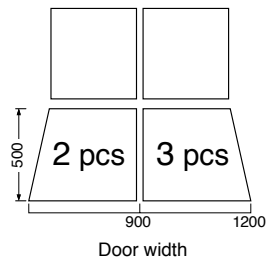
● **Locus chart**



Example (door thickness : 20 mm / bottom panel: 20 mm / overlay : 19 mm)

[Number of Hinges]

In case of door thickness up to 20 mm. Material: Particle board.



[Drop Hinge+Cover]

| Item Name |
|-----------------|
| GS-SDH-P-BL-SET |
| GS-SDH-P-WT-SET |
| GS-SDH-P-NI-SET |

[Drop Hinge]

| Item Name | Material | Finish | Overlay | Door Thickness | Opening Angle | Weight (g) |
|-----------|----------|--------|---------|----------------|---------------|------------|
| GS-SDH-P | Steel | Nickel | 16~19 | 16~20 | 90° | 42 |