

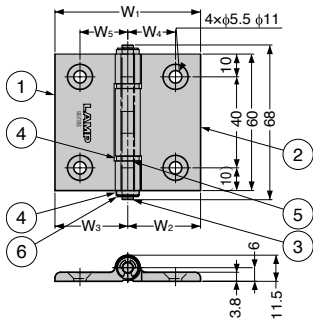
# BUTT HINGE FOR ALUMINIUM FRAME **GS-AS-HG-AL**



- Special hinges fitting perfectly with the mounting groove of aluminium frame. No additional washers are required.
- Plastic bushes provide smooth movement and prevent metal-to-metal friction.
- Aluminium alloy material, light weight and excellent design.
- Stainless steel hinge GS-AS-HG-SUS of the same type also available.

**[Remarks]**

- Load capacity is the value when using two hinges. For calculation conditions, please refer to INDEX



No.	Part Name	Material	Finish / Colour
①	Body A	Aluminium Alloy	Anodised Silver
②	Body B		
③	Shaft	Stainless Steel (SUS303)	Plain
④	Bush	POM	Natural
⑤	Washer	PEEK	
⑥	E-type Retaining Ring	Stainless Steel (SUS304)	-

Item Name	W <sub>1</sub>	W <sub>2</sub>	W <sub>3</sub>	W <sub>4</sub>	W <sub>5</sub>	Load Capacity N/2 pcs	Load Capacity kgf/2 pcs	Weight (g)
GS-AS-HG-AL-M3020	43	18		11		147	15	41
GS-AS-HG-AL-M3030	50	25	25	16	16			45
GS-AS-HG-AL-M3040	57	32		21				48
GS-AS-HG-AL-M4040	64		32		21			53