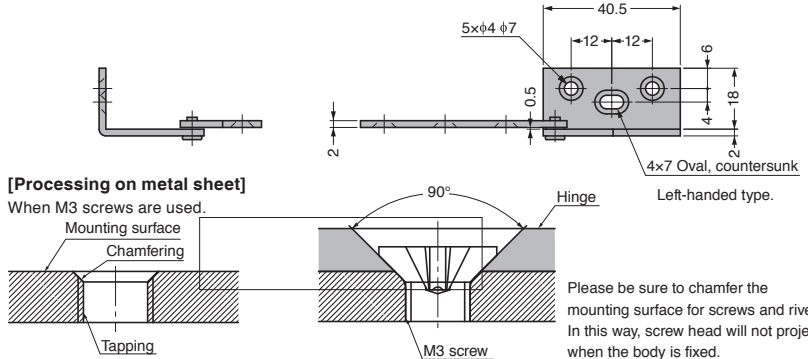
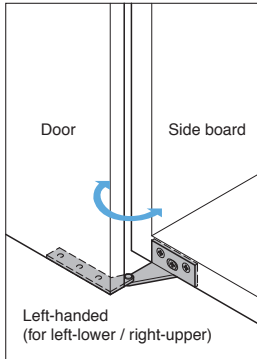
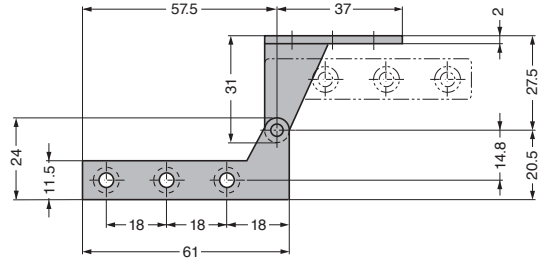


PIVOT HINGE GS-PL-60 For Overlay Door



[Remarks]

- Recommended for use in pairs.



Please be sure to chamfer the mounting surface for screws and rivets. In this way, screw head will not project when the body is fixed.

Item Name	Type	Material	Finish	Door Width	Door Height	Recommended Door Thickness	Door Weight kg/set	Weight (g)
GS-PL-60R	Right-handed (for right-lower / left-upper)	Stainless Steel	Plain	Max. 450	Max. 700	22	Max. 2.6	27
GS-PL-60L	Left-handed (for left-lower / right-upper)	(SUS430)						