

SPRING LOADED PIVOT HINGE GS-HG-PV60AC

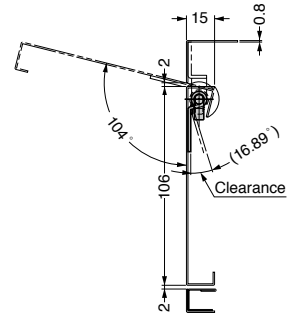
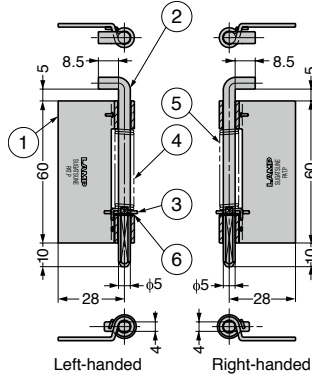
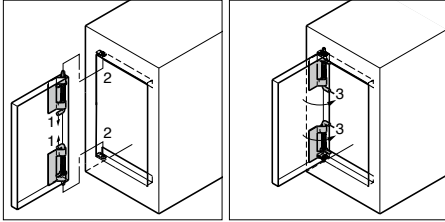
SUS



GS-HG-PV60AC-R (Right-handed)

- Spring loaded for self closing.
- Easy door installation and removal.
- Compact self-closing mechanism saves space.

[Installation]



1. Pull up the hook of the lower hinge.
2. Insert the body into the rotation stop hole.
3. Hold the door to prevent rotation while rotating the hook, insert it to bottom along the hole.
4. Install the upper hinge in the same manner.
5. Open and close the door to check the movement.

No.	Part Name	Material	Finish
①	Body	Stainless Steel (SUS304)	Barrel Polished
②	Shaft		-
③	Stopper	Stainless Steel (SUS-304WPB)	Barrel Polished
④	Spring L		-
⑤	Spring R		-
⑥	E-type Retaining Ring (Size 3)	Stainless Steel (SUS304)	-

Item Name	Type	Door Weight kg/2 pcs	Weight (g)
GS-HG-PV60AC-L	Left-handed	2	38
GS-HG-PV60AC-R	Right-handed		

[Cut Out Dimensions]

