

PIVOT HINGE GS-HG-PV-30C

SUS



- Small detachable pivot hinge.
- Door is easily detached only by using the lever.

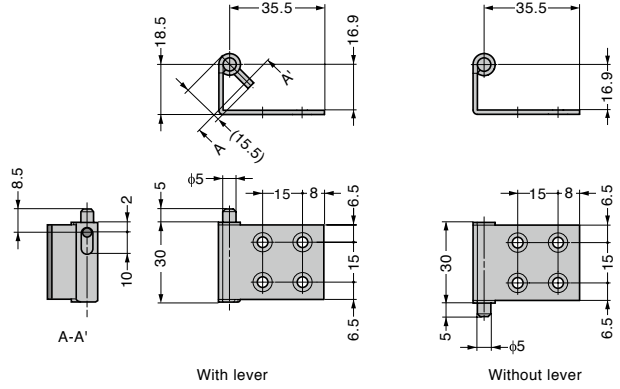
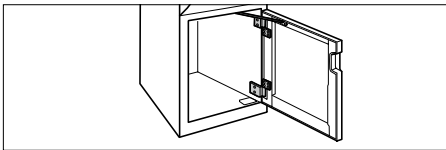
[Applications]

- Light doors of financial equipment, etc.

[Remarks]

- Sold in pairs (upper and lower).

[Application Example]



For right-hanging, the hinge with lever is at the upper side, while that without lever at the lower side.

For left-hanging, the hinge with lever is at the lower side, while that without lever at the upper side.

Item Name	Material	Finish	Weight (g)
GS-HG-PV-30C	Stainless Steel(SUS304)	Barrel Polished	54