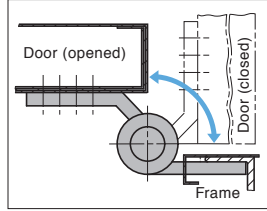


# LIFT-OFF HINGE GS-HG-KM



### [Installation]



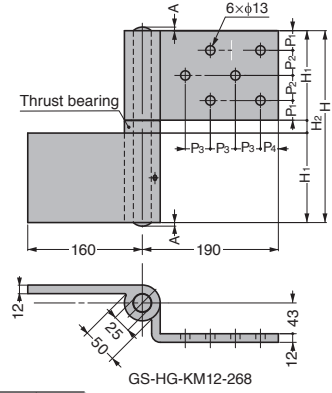
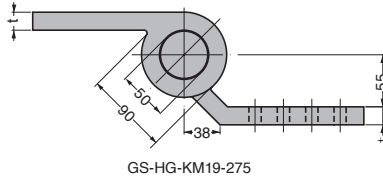
- Ultra thick hinge for ultra heavy doors.
- Thrust bearing in movable part provides smooth movement.

### [Applications]

- Large doors, gate doors, and other rotation mechanism of heavy objects, etc.

### [Remarks]

- Screws not included.
- Load capacity is the value when using two hinges. For calculation conditions, please refer to INDEX



Item Name	Type	Material	Finish	H	H <sub>1</sub>	H <sub>2</sub>	P <sub>1</sub>	P <sub>2</sub>	P <sub>3</sub>	P <sub>4</sub>	A	t	Load Capacity N/2 pcs	Load Capacity kg/2 pcs	Weight (kg)
GS-HG-KM12-268	Right-handed	Stainless Steel (SUS304)	Satin	268	125	18	27.5	35	35	25	5	12	2940	300	8.3
GS-HG-KM19-275	Right-handed			275		25		30	10	19			4810	490	19.8