

LIFT-OFF HINGE (WELD-ON) GS-HG-LSH

SUS



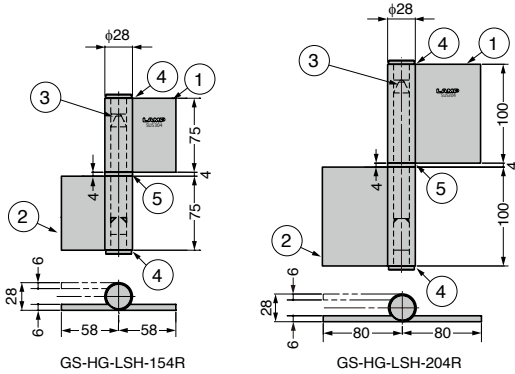
- Uses 6mm thick stainless steel for heavy duty doors.
- Oilless ring provides smooth movement.
- With head caps for beautiful appearance.

[Applications]

- Large doors, gate doors, and other rotation mechanism of heavy objects, etc.

[Remarks]

- Load capacity is the value when using two hinges. For calculation conditions, please refer to INDEX



| No. | Part Name | Material | Finish |
|-----|-----------------|-----------------------------|--------|
| ① | Door Side Leaf | Stainless Steel (SUS304) | Satin |
| ② | Frame Side Leaf | | Plain |
| ③ | Pin | | |
| ④ | Finial | | |
| ⑤ | Ring | | |

※Open/close test under the following conditions:
 Three hinges used vertically, door size W900x H2000
 When using GS-HG-LSH-154: Door weight 250kg
 When using GS-HG-LSH-204: Door weight 280kg

| Item Name | Type | Load Capacity N/2 pcs | Load Capacity kgf/2 pcs | Weight (g) |
|----------------|--------------|-----------------------|-------------------------|------------|
| GS-HG-LSH-154L | Left-handed | 1961 | 200 | 1020 |
| GS-HG-LSH-154R | Right-handed | | | |
| GS-HG-LSH-204L | Left-handed | 2177 | 222 | 1540 |
| GS-HG-LSH-204R | Right-handed | | | |