

ADJUSTABLE SOFT-DOWN STAY GS-NSDX-20 (R/L)



Passed 30,000 open/close private cycle test

Right side installation shown.

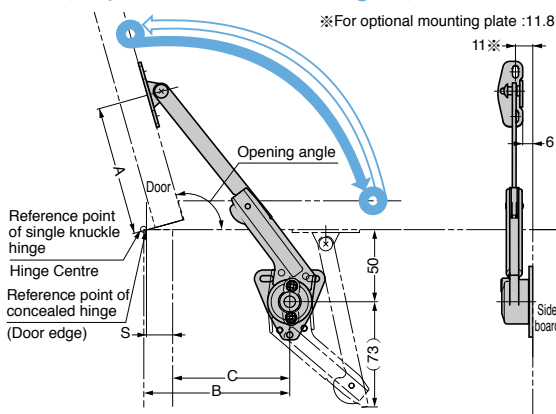
[Maximum Door Moment]

- With 1 stay
Maximum door moment = 1.96~6.86 N · m
- With 2 stays, the maximum door moment will be doubled.
Maximum door moment (N · m) = Door weight (kg) × 9.80665 × Distance from rotation centre to door centre of gravity (m)

[Installation] Right side installation for top-opening 105°. Left side installation is symmetrical.

Comes down slowly and softly in closing direction. Installation with piano/butt hinge or concealed hinge shown below.

Opening direction Soft-down direction Hold position



Hinge Type		A	B	C
70° Opening	Concealed Hinge	126	-	101-S
	Single Knuckle Hinge	125	100	-
105° Opening	Concealed Hinge	103	-	78-S
	Single Knuckle Hinge	97	72	-

Installation dimensions vary depending on hinge type and opening angle.

[Body]

Item Name	Type	Material	Finish	Maximum Door Moment N · m/pc	Maximum Door Moment kgf · cm/pc	Weight (g)
GS-NSDX-20R	Right-handed	Zinc Alloy (ZDC)	Nickel	1.96~6.86	20~70	170
GS-NSDX-20L	Left-handed	Steel	Nickel			

Opening Direction	Description	Non-handed	Maximum Door Moment
Top-opening	With Catch	-	1.96~6.86 N · m/pc (20~70 kgf · cm/pc)

- For top-opening doors.
- Designed to hold the door in fully opened position.
- Opening angle 70° or 105°.
- Closing speed adjustable with adjustment screw.
- AS parts set for installing to aluminium frame also available.

[Specifications]

- Operating temperature: 0°C~40°C

[Remarks]

- Be sure to read the "Cautions"
- Handed: Specific left and right-handed.
- Door closing speed varies depending on product difference and conditions.
- Do not push the door up over the max. opening angle. Also do not forcibly press the door down when closing.

[Sold Separately]

- Mounting plate
- SDS face plate and spacer for glass door (please order when using mounting plate GS-NSDX-GZ.)

Video Link



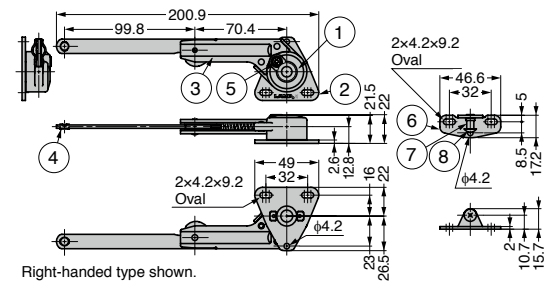
Selection Tool

Sasuga-kun

Applicable Products

Used for Product Selection & Simulation.

Available on Web!



No.	Part Name	Material	Finish/Colour
①	Body	Zinc Alloy (ZDC)	Nickel
②	Mounting Plate	Steel (SPCC)	
③	Arm	Steel (SPCC)	Black
④	Sleeve	POM	
⑤	Adjustment Screw	Steel (SWCH)	Nickel
⑥	Arm Mounting Plate	Steel (SPCC)	
⑦	Shaft	Steel (SWCH)	
⑧	Truss Head Screw (M4x 5)	Steel (SWCH)	

- S is overlay at hinge side. For concealed hinge, use our recommended hinge 230-26/19T.
- Reference point for each dimension: hinge centre for single knuckle hinge, while door edge for concealed hinge.