

COMPACT SOFT-DOWN STAY GS-CSD-10-TV



L=R

INSTRUCTION



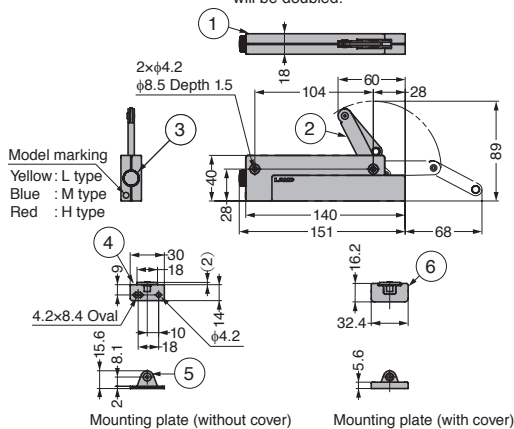
[Applicable Range]

- Choose from 3 types according to maximum door moment.

Maximum door moment (N·m) = Door weight (kg) × 9.80665 × Distance from rotation centre to door centre of gravity (m)

Maximum door moment N·m	Model	Qty
1.0 ~ 2.0	L	1 pc
2.0 ~ 3.0	M	
3.0 ~ 4.0	H	

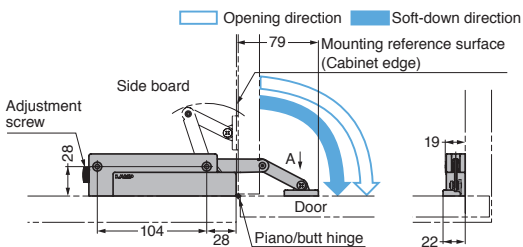
- With 2 stays, the maximum door moment will be doubled.



No.	Part Name	Material	Finish/Colour
①	Body	PC/ABS	White, Black
②	Arm	Steel (SPCC)	Nickel
③	Adjustment Screw	Steel + Resin	White, Black
④	Mounting Plate	Steel (SPCC)	Nickel
⑤	Shaft	Stainless Steel	Plain
⑥	Cover	ABS	White, Black

[Installation] Right side installation for downward-opening 90° . Left side installation is symmetrical.

Comes down slowly and softly in opening direction. Installation with piano/butt hinge or drop hinge shown below.



Opening Direction	Description	Non-handed	Model	Maximum Door Moment
 Downward-opening	-	Yes	L	1.0 ~2.0 N·m/pc (10.2~20.4 kgf·cm/pc)
			M	2.0~3.0 N·m/pc (20.4~30.6 kgf·cm/pc)
			H	3.0~4.0 N·m/pc (30.6~40.8 kgf·cm/pc)

- For downward-opening doors.
- Easy-installed just by aligning the main body to the inside cabinet corner and then fixing with screws.
- Mounting plate can be positioned easily with a template.
- Non-handed.
- Installed on the bottom board of cabinet for maximum space inside the cabinet.
- Cover for mounting plate may be of the same colour as the main body.

[Specifications]

- Operating temperature: 0°C~40°C

[Remarks]

- GS-CSD-10-TV does not have catch feature. Please install a catch separately.
- When placing objects or working on the surface of opened door, install a brace or reinforcement material to support the door in addition to the stay.
- Do not use concealed hinge.

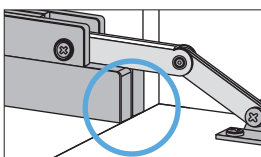
[Parts Included]

- Mounting plate
- Cover for mounting plate
- Binding head screw M4× 4 (for connecting main body and mounting plate)
- Binding head tapping screw 3.5× 30 (for main body)
- Binding head tapping screw 3.5× 15 (for mounting plate)

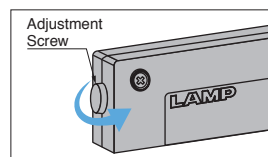
[Sold Separately]

- Butt hinge
- Drop hinge GS-SDH-P, GS-SSDH-001
- Drop hinge for glass door GS-SSDH-G
- Face plate for glass door GS-SSDH-FP, GS-SSDS-50G
- Mounting plate for glass door GS-SNSDX-GZ

[Easy to Position]



[Speed adjustment]



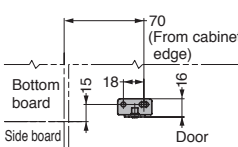
- Installation position is determined simply by pressing the main body against bottom and aligning to cabinet edge.
- Opening speed may be slightly changed.

[Installation Position of Mounting Plate (Included)]

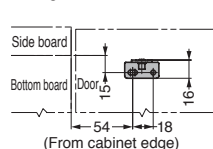
A-view (refer to "Installation")

Can easily position with the supplied template.

For left side board



For right side board



Item Name	Colour	Model	Maximum Door Moment N·m/pc	Maximum Door Moment kgf·cm/pc	Weight (g)
GS-CSD-10-TV-L-WT	White	L	1.0~2.0	10.2~20.4	130
GS-CSD-10-TV-L-BL	Black				
GS-CSD-10-TV-M-WT	White	M	2.0~3.0	20.4~30.6	
GS-CSD-10-TV-M-BL	Black				
GS-CSD-10-TV-H-WT	White	H	3.0~4.0	30.6~40.8	
GS-CSD-10-TV-H-BL	Black				

Selection Tool
Sasuga-kun
 Applicable Products
 Used for Product Selection & Simulation.
 Available on Web!