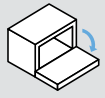


SHORT ARM SOFT-DOWN STAY GS-NSDX-10 (R/L) K-TV



Opening Direction	Description	Non-handed	Maximum Door Moment
 Downward-opening	With Catch	-	0.98~1.96 N · m/pc (10~20 kgf · cm/pc)

- For downward-opening doors.
- Designed to hold the door in fully closed position.
- Opening speed can be adjusted with adjustment screw.

[Specifications]

- Operating temperature: 0°C~40°C

[Remarks]

- Be sure to read the "Cautions"
- Handed: Specific left and right-handed.
- Door opening speed varies depending on product and conditions.
- When placing objects or working on the surface of opened door, install a brace or reinforcement material to support the door in addition to the stay.

[Parts Included]

- Mounting plate GS-NSDX-SZ
- Binding head tapping screw 3.5x 15

[Sold Separately]

- Mounting plate
- GS-SDS face plate and spacer for glass door

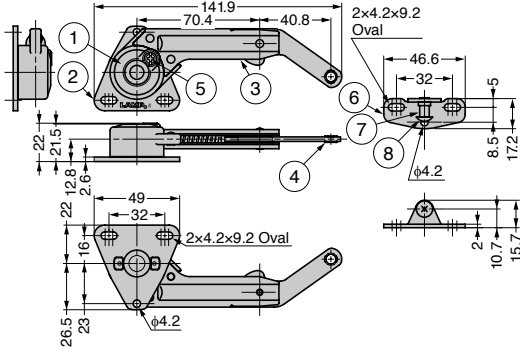
[Maximum Door Moment]

- With 1 stay
Maximum door moment = 0.98 N~1.96 N · m
- With 2 stays, the maximum door moment will be doubled.
Maximum door moment (N · m) = Door weight (kg) × 9.80665 × Distance from rotation centre to door centre of gravity (m)

Video Link



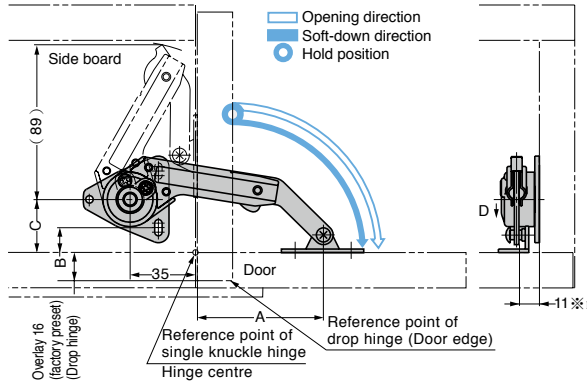
Selection Tool
Sasuga-kun
 Applicable Products
 Used for Product Selection & Simulation.
 Available on Web!



No.	Part Name	Material	Finish/Colour
①	Body	Zinc Alloy (ZDC)	Nickel
②	Mounting plate	Steel (SPCC)	
③	Arm		
④	Sleeve	POM	Black
⑤	Adjustment Screw	Steel (SWCH)	Nickel
⑥	Arm Mounting Plate	Steel (SPCC)	
⑦	Shaft	Steel (SWCH)	
⑧	Truss Head Screw (M4x 5)		

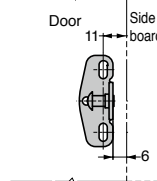
[Installation] Right side installation for downward-opening 90°. Left side installation is symmetrical.

Comes down slowly and softly in opening direction. Installation with piano/butt hinge or drop hinge shown below.



[Installation for Mounting Plate]

D-view (refer to "Installation")



Hinge Type	A	B	C
Drop Hinge (GS-SDH-001)	74※2	14	30
Drop Hinge (GS-SDH-P)	75※3	12	28
Piano/Butt Hinge	71	27	43

Installation dimensions vary depending on hinge type.

- ※1 : 11.8 for optional mounting plate.
- ※2 : In case of overlay 16 mm (factory preset).
- ※3 : In case of overlay 19mm (factory preset). Use GS-SDH-P
- Reference point for each dimension: hinge centre for single knuckle hinge, while door edge for drop hinge.

[Body]

Item Name	Type	Material	Finish	Maximum Door Moment N · m/pc	Maximum Door Moment kgf · cm/pc	Weight (g)
GS-NSDX-10RK-TV	Right-handed	Zinc Alloy (ZDC)/	Nickel	0.98~1.96	10~20	143
GS-NSDX-10LK-TV	Left-handed	Steel				