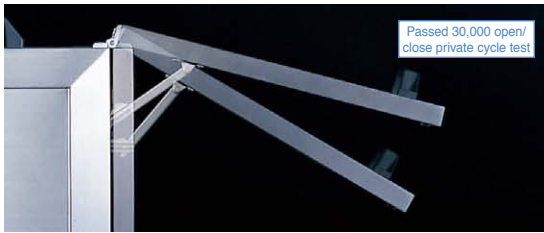
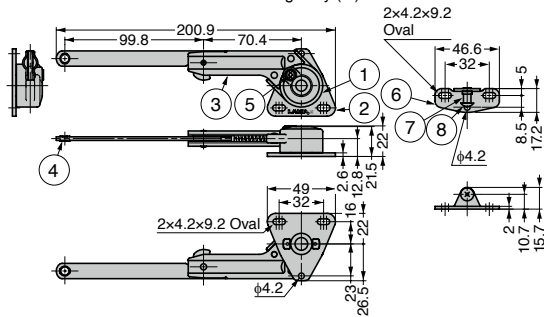


SOFT-DOWN STAY GS-NSDX-35(R/L) 2S



[Maximum Door Moment]

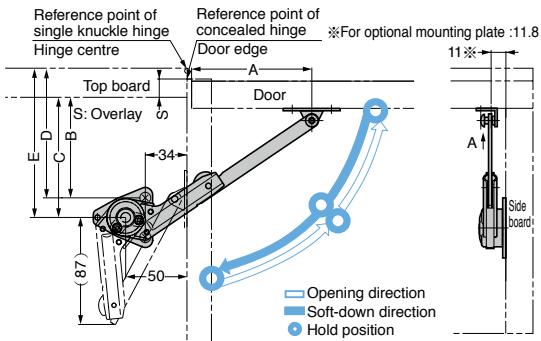
- With 1 stay
Maximum door moment = 1.96~4.9 N · m
- With 2 stays, the maximum door moment will be doubled.
Maximum door moment (N · m) = Door weight (kg) × 9.80665 × Distance from rotation centre to door centre of gravity (m)



No.	Part Name	Material	Finish/Colour
①	Body	Zinc Alloy (ZDC)	Nickel
②	Mounting Plate	Steel (SPCC)	
③	Arm		POM
④	Sleeve	Black	
⑤	Adjustment Screw		Steel (SWCH)
⑥	Arm Mounting Plate	Steel (SPCC)	
⑦	Shaft		Steel (SWCH)
⑧	Truss Head Screw (M4x 5)		

[Installation] Right side installation for upward-opening 90° . Left side installation is symmetrical.

Comes down slowly and softly in closing direction. Installation with piano/butt hinge or concealed hinge shown below.



[Body]

Item Name	Type	Material	Finish	Maximum Door Moment N · m/pc	Maximum Door Moment kgf · cm/pc	Weight (g)
GS-NSDX-35R2S	Right-handed	Zinc Alloy (ZDC)	Nickel	1.96~4.9	20~50	170
GS-NSDX-35L2S	Left-handed	Steel				

Opening Direction	Description	Non-handed	Maximum Door Moment
Upward-opening	With Catch	—	1.96~4.9 N · m/pc (20~50 kgf · cm/pc)

- For upward-opening doors.
- Holds the opened door at two angles.
- Designed to hold the door in fully closed position.
- Opening angle 80° , 90° or 100° .
- Closing speed adjustable with adjustment screw.

[Specifications]

- Operating temperature: 0°C~40°C

[Remarks]

- Be sure to read the "Cautions"
- Handed: Specific left and right-handed.
- Door closing speed varies depending on product difference and use conditions.
- Do not push the door up more than opening angle. Also do not forcibly press the door down when closing.

[Sold Separately]

- Mounting plate
- SDS face plate and spacer for glass door

Video Link



Selection Tool

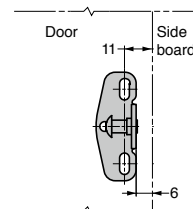
Sasuga-kun

Applicable Products

Used for Product Selection & Simulation.
Available on Web!

Installation for Mounting Plate]

A-view (refer to "Installation")



Hinge Type		A	B	C	D	E
80° /60°	Concealed Hinge	106	105-S	121-S	—	—
	Single Knuckle Hinge	100	—	—	99	115
90° /65°	Concealed Hinge	98	97-S	113-S	—	—
	Single Knuckle Hinge	91.5	—	—	90.5	106.5
100° /70°	Concealed Hinge	92.5	91.5-S	107.5-S	—	—
	Single Knuckle Hinge	85	—	—	84	100

Installation dimensions vary depending on hinge type and opening angle.

- S is overlay at hinge side.
- Reference point for each dimension: hinge centre for single knuckle hinge, while door edge for concealed hinge.