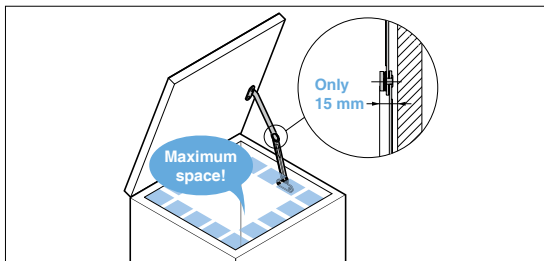


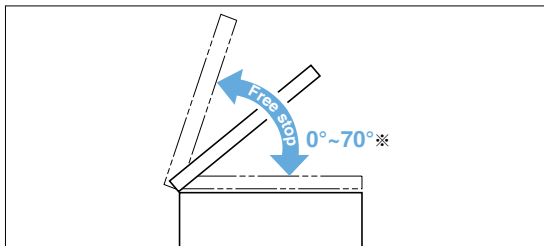
# FREE-STOP STAY GS-S-52T15



Picture above shows top-opening installation of GS-S-52T15R (right-handed).



Distance from the mounting surface to the disk surface of stay is only 15mm, maximising space inside of the cabinet.



※Opening angle changes depending on installation position.  
(70° is for installation as per Right)

Opening Direction				Torque
				$1.5^{± 20\%} \text{ N} \cdot \text{m/pc}$ $(15.3^{± 20\%} \text{ kgf} \cdot \text{cm/pc})$
Top-opening	Downward-opening	Upward-opening	Swing Door	

- Disk structure that generates torque by the friction of metal plates is thin and space-saving, maximising space inside of the cabinet.

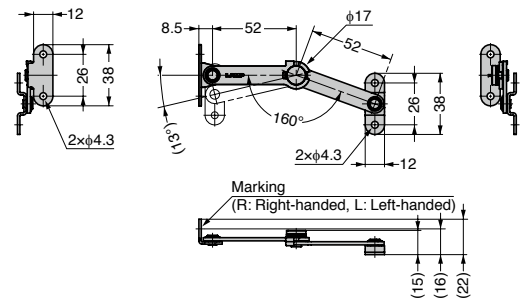
### [Remarks]

- Do not operate continuously (repeatedly in a short time).
- Do not contact with water, oil and lubricant, etc.

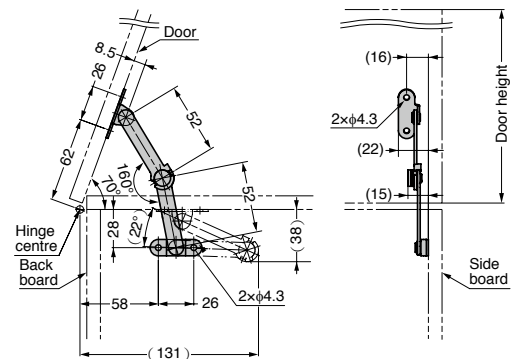
### [Example Chart for the Below Installation]

- Relations between door height and door weight for free stop are listed in the table below.
- The following table shows the values for installation below. For reference only.

Door Height	Door Weight kg/pc	Door Weight kg/pair
200	Max. 1.8	Max. 3.6
250	Max. 1.4	Max. 2.8
300	Max. 1.2	Max. 2.4
350	Max. 1.0	Max. 2.0
400	Max. 0.9	Max. 1.8



### [Right Side Installation (For Top-opening)]



**S**election Tool  
**Sasuga-kun**  
 Applicable Products  
 Used for Product Selection & Simulation.  
 Available on Web!

Item Name	Type	Material	Finish	Torque N · m/pc	Torque kgf · cm/pc	Weight (g)
GS-S-52T15R	Right-handed	Stainless Steel	Barrel	1.5 <sup>± 20%</sup>	15.3 <sup>± 20%</sup>	40
GS-S-52T15L	Left-handed	(SUS430)	Polished			