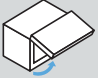


LID STAY GS-L-195, GS-L-270

TEST METHOD 16 L=R TITANIUM SUS



Opening Direction	Description	Non-handed	Qty	Compression Load
 Upward-opening※	Holds When Fully Opened	Yes	1 Units Per Door	147 N/pc (15 kgf/pc)

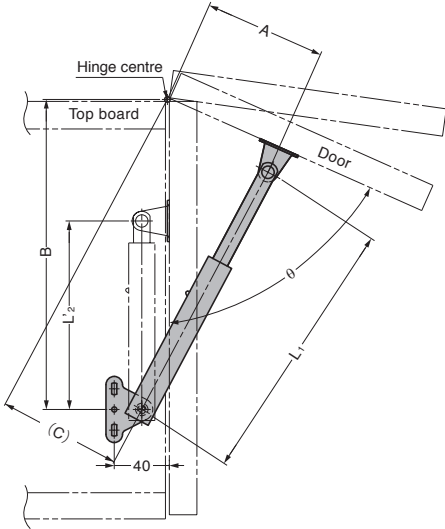
※Can also be used for top-opening lid, depending on installation conditions. Please confirm with actual item in detail.

- Holds the lid in fully opened position. Slightly lift up the lid to release stopper.

[Remarks]

- Appropriate bracket position can be determined depending on door height and opening angle. In this case, ensure that L₂ of the installation example is larger than L₂ shown in the figure below. (Or the hinge and stay may be damaged.)
- Use 1 pc for 1 door. If using 2 pcs, left and right operation may not be synchronised.
- Do not use this product as a stopper other than for a door.
- Allow room for stroke depending on installation location and purpose.
- Securely fix the mounting screws with screw adhesive.
- Calculate suitable door size with reference to LID STAY L SERIES

[Installation] For right side board



[Stopper Release]

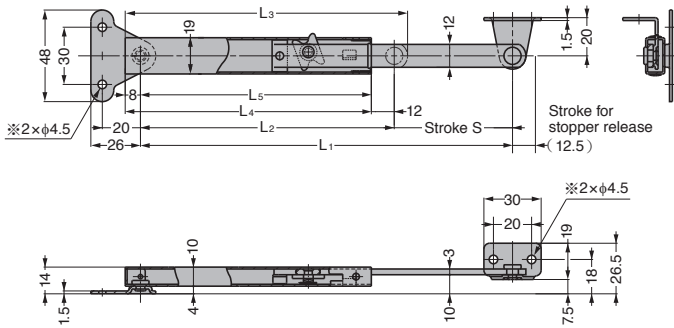
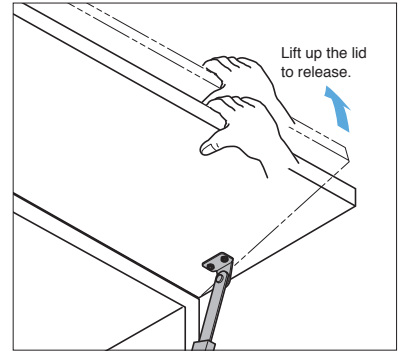


Figure above shows GS-L-195B or GS-L-270B.

Item Name	Material	Finish	L ₁	L ₂	L ₃	L ₄	L ₅	S	A	B	C	θ	Approx. Door Height	Compression Load N/pc	Compression Load kgf/pc	Weight (g)
GS-L-195B	Stainless Steel (SUS304)	Satin	195	133	148	129	121	62	90	225	91.5	66°	250-350	147	15	124
GS-L-270B	Stainless Steel (SUS304)	Satin	270	170	185	166	158	100	105	275	105.8	82°	320-500	147	15	183