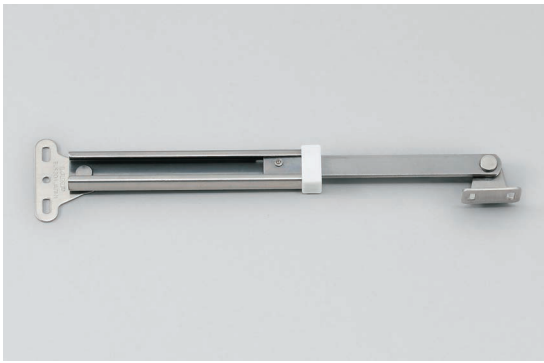
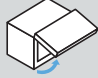


LID STAY GS-L-195-JC

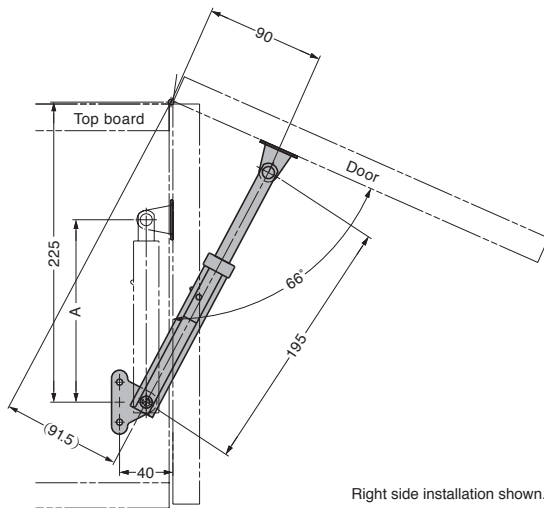


Opening Direction	Description	Non-handed	Qty	Compression Load
 Upward-opening※	Holds When Fully Opened	Yes	1 Units Per Door	147 N/pc (15 kgf/pc)

※Can also be used for top-opening lid, depending on installation conditions. Please confirm with actual item in detail.

- Holds the lid in fully opened position. Slightly lift up the lid to release stopper.
- Simplified version of the same size as GS-L-195 type with excellent cost performance.

[Installation] With single knuckle hinge



[Remarks]

- Appropriate bracket position can be determined depending on door height and opening angle. In this case, ensure that the dimension A when door closed is larger than the minimum dimension when extending and compressing. Or the hinge and lid stay may be damaged.
- Use 1 pc for 1 door. If using 2 pcs, left and right operation may not be synchronised.
- Do not use this product as a stopper.
- Allow room for stroke depending on installation location and purpose.
- Securely fix the mounting screws with screw adhesive.
- Calculate suitable door size with reference to LID STAY SERIES

[Stopper Release]

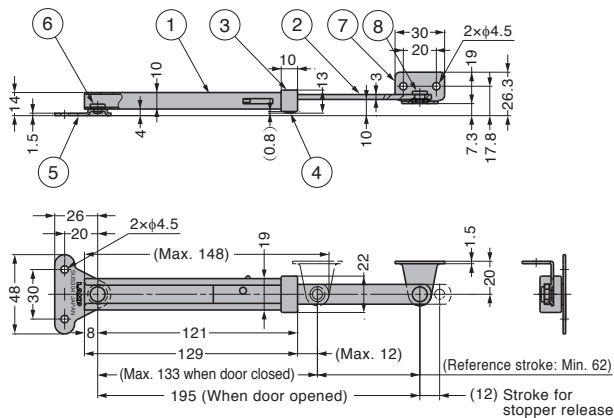
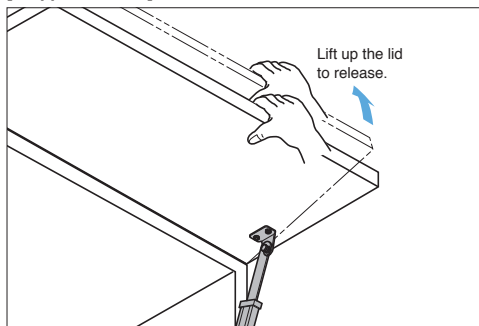
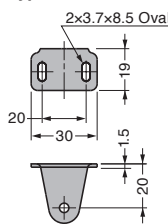
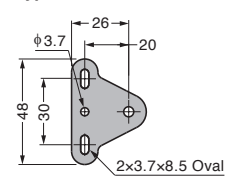


Figure above shows GS-L-195-JC-B.

Type A Arm bracket



Type A Case bracket



※Mounting hole shape of GS-L-195-JC-A shown above.

No.	Part Name	Material	Finish
①	Body	Stainless Steel (SUS304)	Barrel Polished
②	Arm	Stainless Steel	-
③	Cover	POM	Plain
④	Blind Rivet	Aluminium Alloy	-
⑤	Case Bracket	Stainless Steel (SUS304)	Barrel Polished
⑥	Shaft	Stainless Steel	Plain
⑦	Arm Bracket	Stainless Steel (SUS304)	Barrel Polished
⑧	Top Shaft	Stainless Steel	Plain

Item Name	Approx. Door Height	Compression Load N/pc	Compression Load kgf/pc	Weight (g)
GS-L-195-JC-A	250~350	147	15	100
GS-L-195-JC-B				