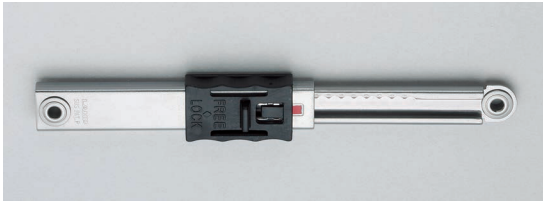


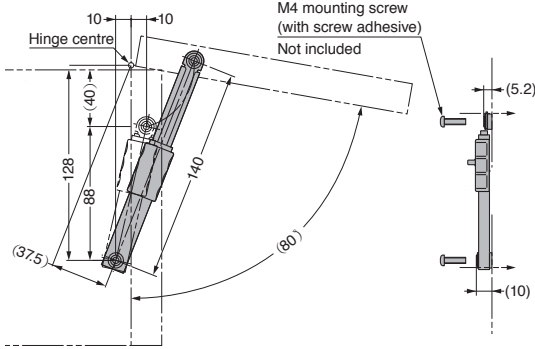
# MINI LID STAY (W/ LOCK) GS-L-FS140 Slide release

TEST METHOD 16 L=R SUS

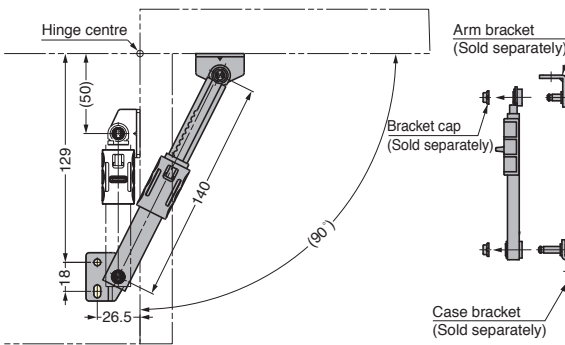


Opening Direction	Description	Non-handed	Qty	Compression Load
 Top-opening	 Upward-opening	Yes	1 Unit Per Door 2 Units Per Door	58.8 N/pc (6 kgf/pc)
 Swing Door				
Multi-angle Lock				

## [Installation] Without bracket



## With bracket

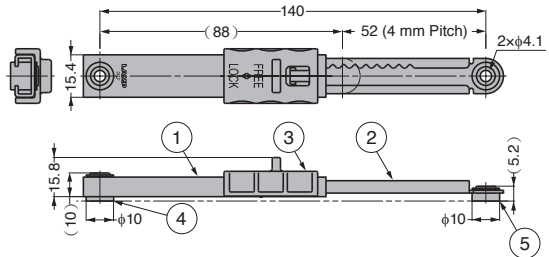


## [Remarks]

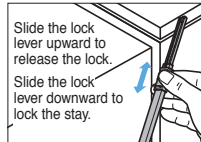
- Do not use this product as a stopper.
- Allow room for stroke when installing.
- Securely fix the mounting screws with screw adhesive.
- Opening angle and installation position change depending on the position of hinge centre. Determine the installation position based on the hinges used and cabinet shape.
- For wooden door, use BRACKET GS-L-FS140-BT (sold separately)
- Calculate suitable door size with reference to LID STAY SERIES

## [Sold Separately]

- Mounting bracket GS-L-FS140-BT



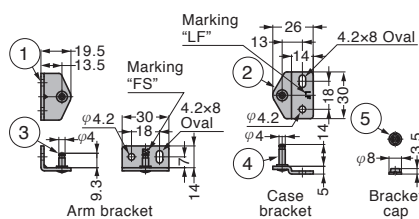
## [Lock and Release]



No.	Part Name	Material	Finish/Colour
①	Body	Stainless Steel	Barrel
②	Arm	(SUS304)	Polished
③	Lock Lever	POM	Dark Grey
④	Case Bracket	Stainless Steel	-
⑤	Arm Bracket	(SUS304)	-

Item Name	Compression Load N/pc	Compression Load kgf/pc	Weight (g)
GS-L-FS140	58.8	6	50

# BRACKET GS-L-FS140-BT For GS-L-FS140



- Bracket for GS-L-FS140
- One-touch installation with the bracket cap.
- Refer to the stay page for installation details.

## [Remarks]

- For GS-L-FS140 only.
- Do not apply excessive force in the direction of removing the cap.

Item Name	Weight (g)
GS-L-FS140-BT	27

No.	Part Name	Material	Finish/Colour
①	Arm Bracket	Stainless Steel (SUS304)	Barrel Polished
②	Case Bracket		
③	Shaft of Arm Bracket	Stainless Steel (SUS303)	Plain
④	Shaft of Case Bracket		
⑤	Bracket Cap	POM	Black