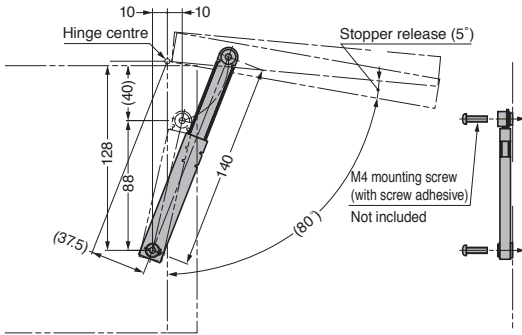


MINI LID STAY (W/ LOCK) GS-L-SL140 Safety Lock Release

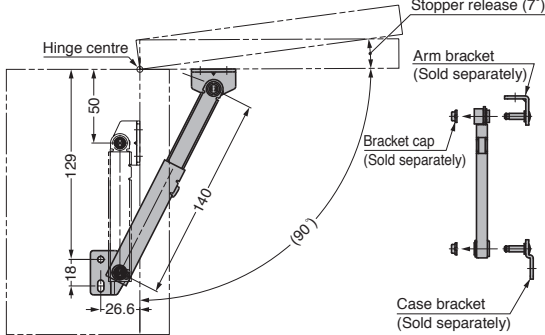


Opening Direction	Description	Non-handed	Qty	Compression Load
 Top-opening	 Upward-opening	Locks When Fully Opened	Yes	1 Unit Per Door

[Installation] Without bracket



With bracket

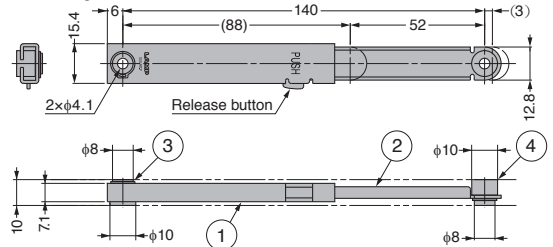


[Remarks]

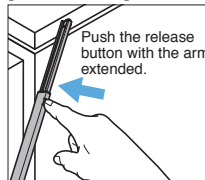
- Do not use this product as a stopper.
- Allow room for stroke when installing.
- Securely fix the mounting screws with screw adhesive.
- Use 1 pc for 1 door.
- Opening angle and installation position change depending on the position of hinge centre. Determine the installation position based on the hinges used and cabinet shape.
- For wooden door, use BRACKET GS-L-SL140-BT (sold separately)
- Calculate suitable door size with reference to LID STAY SERIES

[Sold Separately]

- Mounting bracket GS-L-SL140-BT



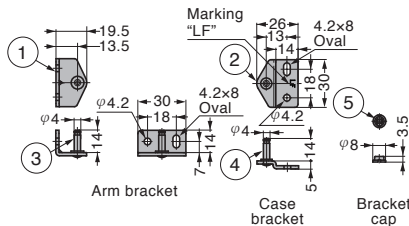
[Lock Release]



No.	Part Name	Material	Finish/Colour
①	Body	Stainless Steel (SUS304)	Barrel
②	Arm		Polished
③	Case Bracket		-
④	Arm Bracket		

Item Name	Compression Load N/pc	Compression Load kgf/pc	Weight (g)
GS-L-SL140	147	15	51

BRACKET GS-L-SL140-BT For GS-L-SL140



- Bracket for GS-L-SL140
- One-touch installation with the bracket cap.
- Refer to GS-L-SL140 for installation details.

[Remarks]

- For GS-L-SL140 only.
- Do not apply excessive force in the direction of removing the cap.

Item Name	Weight (g)
GS-L-SL140-BT	27

No.	Part Name	Material	Finish/Colour
①	Arm Bracket	Stainless Steel (SUS304)	Barrel Polished
②	Case Bracket		
③	Shaft of Arm Bracket	Stainless Steel (SUS303)	Plain
④	Shaft of Case Bracket		
⑤	Bracket Cap	POM	Black