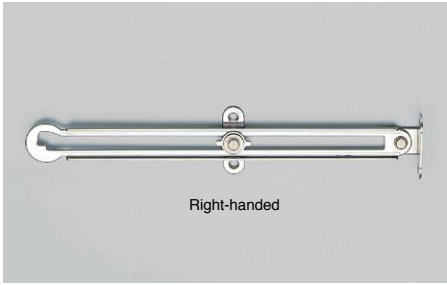
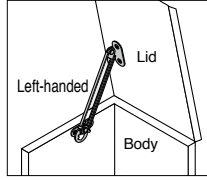


# LID STAY GS-S-91, GS-S-92, GS-S-93

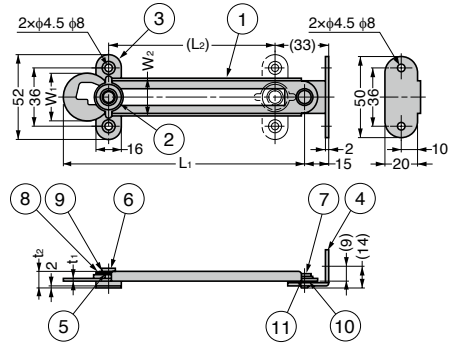


### [Installation]



Opening Direction	Description
 Top-opening	-

No.	Part Name	Material	Finish
①	Rail Arm	Stainless Steel (SUS304)	Barrel Polished
②	Rotary		
③	Base Plate		
④	Bracket		
⑤	Spring	Stainless Steel (SUS301)	-
⑥	Shaft A	Stainless Steel (SUS303)	
⑦	Shaft B	Stainless Steel (SUS303)	
⑧	Washer	Stainless Steel (SUS304)	
⑨	N Washer	PA	
⑩	N Washer		
⑪	N Washer		



Right-handed type shown.

Item Name	Type	L <sub>1</sub>	L <sub>2</sub>	W <sub>1</sub>	W <sub>2</sub>	t <sub>1</sub>	t <sub>2</sub>	Weight (g)
GS-S-91R	Right-handed	277	231	30	24	2	11	120
GS-S-91L	Left-handed							
GS-S-92R	Right-handed	198	153	28	23	1.5	10.5	85
GS-S-92L	Left-handed							
GS-S-93R	Right-handed	150	105					75
GS-S-93L	Left-handed							