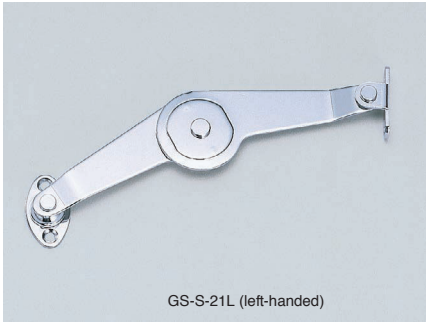
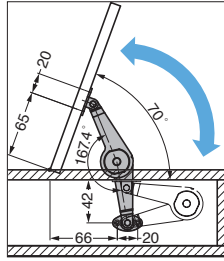


# LID STAY GS-S-21 With catch



### [Installation] Right-handed

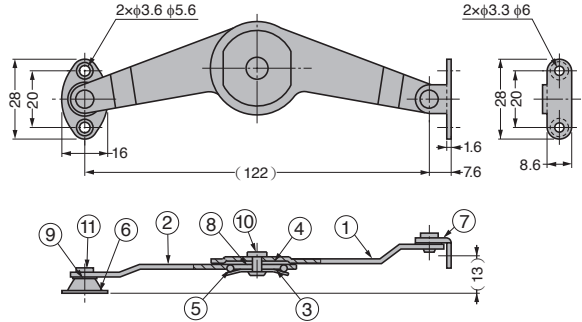


Opening Direction	Description
<p>Top-opening</p>	With catch

### [Remarks]

- Catch mechanism may not work, depending on door weight.
- When installing this stay to sheet metal, be sure to perform thread relief processing (chamfering) on the mounting surface side (cabinet side). In this way, screw head will not protrude when the stay is fixed.

No.	Part Name	Material	Finish
①	Body A	Steel (SPCC)	Chrome
②	Body B		
③	Spring A	Steel (SK)	-
④	Spring B		
⑤	Balls	Steel (SWRCH)	
⑥	Mounting Plate	Steel (SPCC)	Chrome
⑦	Bracket		
⑧	Washer		Coloured Zinc Chromate (Trivalent)
⑨	Washer	PA	Natural
⑩	Centre Shaft	Brass	Tin Cobalt Plating
⑪	Shaft		



Left-handed type shown.

Item Name	Type	Tension Force N/pc	Tension Force kgf/pc	Weight (g)
GS-S-21R	Right-handed	309	31.5	49
GS-S-21L	Left-handed			