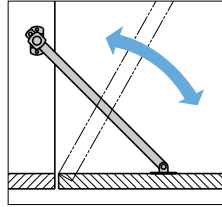


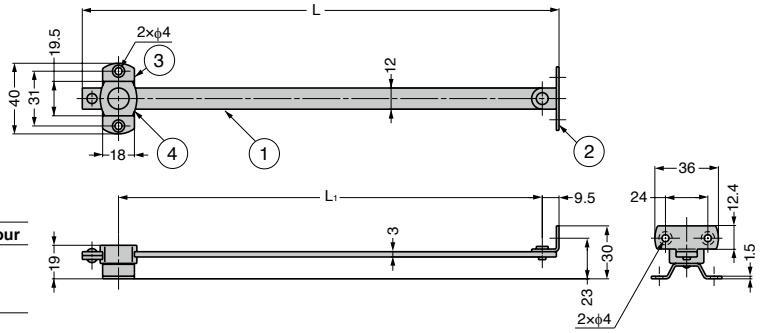
LID STAY GS-HS



[Installation]



| Opening Direction | Description |
|----------------------|-------------|
| Downward-opening | Non-handed |



| No. | Part Name | Material | Finish/Colour |
|-----|----------------|--------------------------|---------------|
| ① | Arm | Stainless Steel (SUS304) | Satin |
| ② | Bracket | | |
| ③ | Mounting Plate | PA | White |
| ④ | Body | PA | White |

| Item Name | L | L ₁ | Weight (g) |
|-----------|-----|----------------|------------|
| GS-HS-180 | 210 | 180 | 80 |
| GS-HS-210 | 240 | 210 | 90 |
| GS-HS-240 | 270 | 240 | 100 |