

STAINLESS STEEL MINI SLIDE (FULL EXTENSION) GS-SCR3-15S

LOAD CAPACITY

98~118 N/pair

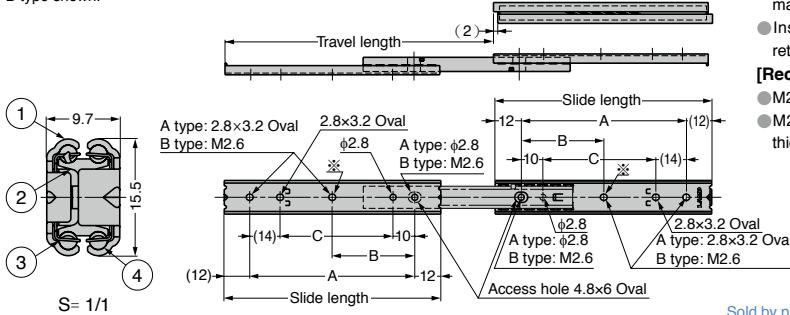
L=R

SUS



- Full extension (3 members).
- Little change in operating force due to mechanism hardly causing ball creep
- Only 15.5mm in height with small deflection, suitable for various places.
- Grease (NSF H1 Registered Food Grade Lubricants) for food machinery is used.

B type shown.



[Remarks]

- Types with slide length 80mm have no holes marked with ※.
- Install stopper separately to protect rails and retainers from strong shock.

[Recommended Screws]

- M2.6 low head screw (for A type)
- M2.6 screw (for B type) Screw length = Panel thickness + Max. 1.7 mm

No.	Part Name	Material
①	Outer Member	Stainless Steel (SUS304)
②	Inner Member	
③	Retainer	Stainless Steel (SUS440)
④	Balls	

Sold by piece.

Item Name	Holes	Slide Length	Travel Length	A	B	C	Vertical Installation		Weight (g/pc)
							Load Capacity N/pair	Load Capacity kg/pair	
GS-SCR3-15S-80A	A Type	80	97	56	-	32	98	10	36
GS-SCR3-15S-100A	(Through Hole)	100	125	76	38	52	108	11	45
GS-SCR3-15S-150A	Hole	150	177	126	63	102	118	12	70
GS-SCR3-15S-80B	B Type	80	97	56	-	32	98	10	36
GS-SCR3-15S-100B	(Screw Hole)	100	125	76	38	52	108	11	45
GS-SCR3-15S-150B	Hole	150	177	126	63	102	118	12	70