

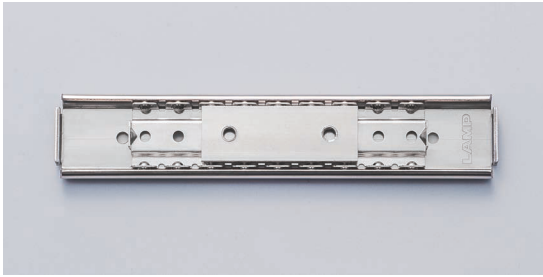
STAINLESS STEEL MINI GUIDE GS-SCRL2-15S

LOAD CAPACITY

177-235 N/pair

L=R

SUS



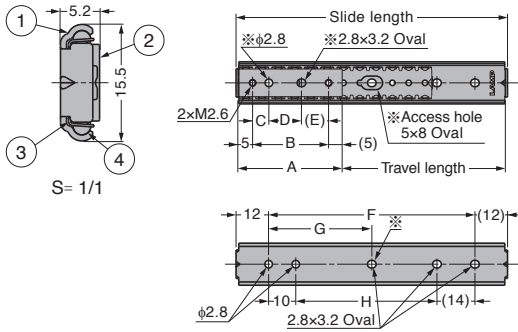
- Only 15.5mm in height with small deflection, suitable for various places.
- Grease (NSF H1 Registered Food Grade Lubricants) for food machinery is used.

[Remarks]

- Types with slide length 80mm have no holes marked with ※.
- Install stopper separately to protect rails and retainers from strong shock.

[Recommended Screws]

- M2.6 low head screw (for outer member)
- M2.6 screw (for inner member) Screw length = Panel thickness + Max. 1.5 mm



S= 1/1

No.	Part Name	Material
①	Outer Member	Stainless Steel (SUS304)
②	Inner Member	
③	Retainer	Stainless Steel (SUS440)
④	Balls	

Sold by piece.

Item Name	Slide Length	Travel Length	A	B	C	D	E	F	G	H	Vertical Installation		Weight (g/pc)
											Load Capacity N/pair	Load Capacity kgf/pair	
GS-SCRL2-15S-80A	80	49	28	18	-	-	-	56	-	32	177	18	16
GS-SCRL2-15S-100A	100	59	38	28	6	12	10	76	38	52	206	21	20
GS-SCRL2-15S-150A	150	109	48	38	10	14	14	126	63	102			29
GS-SCRL2-15S-200A	200	149	48	38	10	14	14	176	88	152	235	24	38