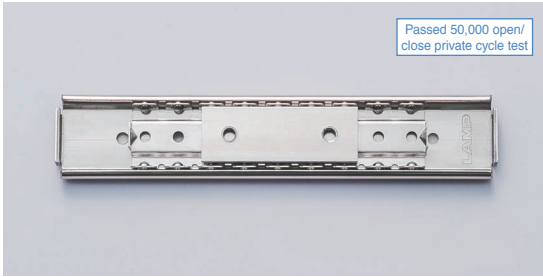


# STAINLESS STEEL MINI GUIDE GS-SCRL2

**LOAD CAPACITY** 177~235 N/pair

**L=R SUS**



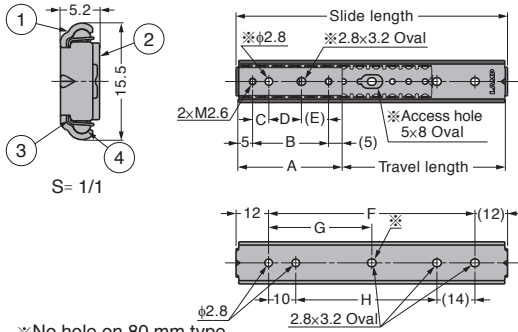
- Only 15.5mm in height with small deflection, suitable for various places.

**[Remarks]**

- Types with slide length 80mm have no holes marked with ※.
- Install stopper separately to protect rails and retainers from strong shock.

**[Recommended Screws]**

- M2.6 low head screw (for outer member)
- M2.6 screw (for inner member) Screw length = Panel thickness + Max. 1.5 mm



S= 1/1

※No hole on 80 mm type.

Sold by piece.

No.	Part Name	Material
①	Outer Member	Stainless Steel (SUS304)
②	Inner Member	
③	Retainer	Steel (SUJ)
④	Balls	

Item Name	Slide Length	Travel Length	A	B	C	D	E	F	G	H	Vertical Installation		Weight (g/pc)
											Load Capacity N/pair	Load Capacity kgf/pair	
GS-SCRL2-15-80A	80	49	28	18	-	-	-	56	-	32	177	18	16
GS-SCRL2-15-100A	100	59	38	28	6	12	10	76	38	52	206	21	20
GS-SCRL2-15-150A	150	109	48	38	10	14	14	126	63	102			29
GS-SCRL2-15-200A	200	149	48	38	10	14	14	176	88	152	235	24	38