

FULL EXTENSION SLIDE GS-ESR-3813

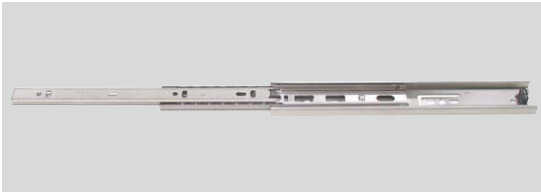
LOAD CAPACITY 29~45kgf

DETACH

HOLD CLOSED

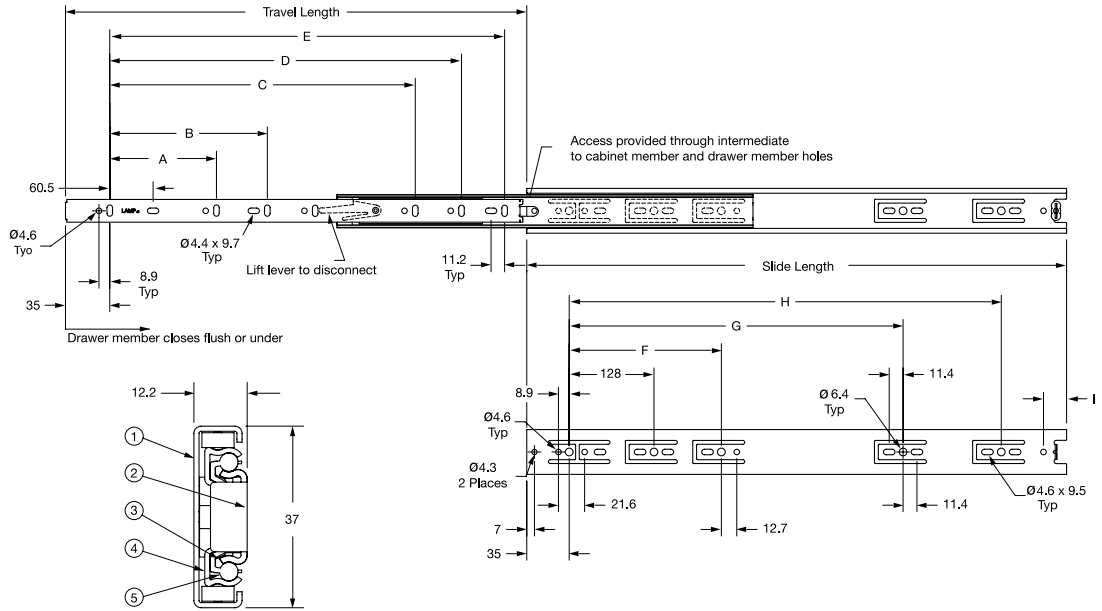
L=R

SUS

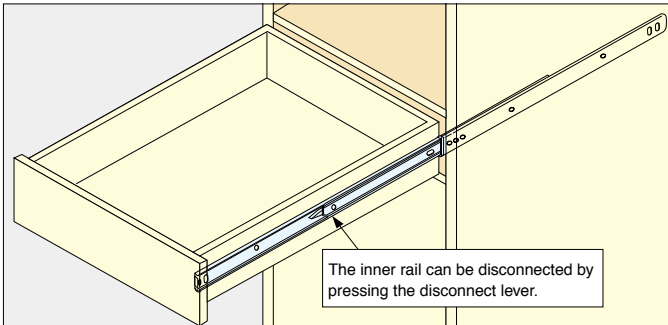


- Full extension.
- Front disconnect.
- Positive stop.
- Hold-in detent.
- Non-handed.

* Mount with M4 or #8 Binding, Pan, or Truss head screws.



[Installation]



No.	Part Name	Material
①	Outer Rail	Stainless Steel (304)
②	Inner Rail	
③	Retainer	
④	Intermediate Member	
⑤	Balls	

Sold in pairs.

Item Name	Slide Length	Travel Length	A	B	C	D	E	F	G	H	I	Load Rating (kg/pair)	Weight (kg/pair)								
GS-ESR-3813-8	200	200	128	-	-	-	142	-	-	-	-	45	0.40								
GS-ESR-3813-10	250	243					192					42	0.53								
GS-ESR-3813-12	300	305					242					42	0.63								
GS-ESR-3813-14	350	355					292					38	0.72								
GS-ESR-3813-16	400	406					342					36	0.81								
GS-ESR-3813-18	450	457					392					34	0.91								
GS-ESR-3813-20	500	508					442					33	1								
GS-ESR-3813-22	550	559					416					31	1.09								
GS-ESR-3813-24	600	610					542					29	1.18								
							224					416	-	542	352	448	480				